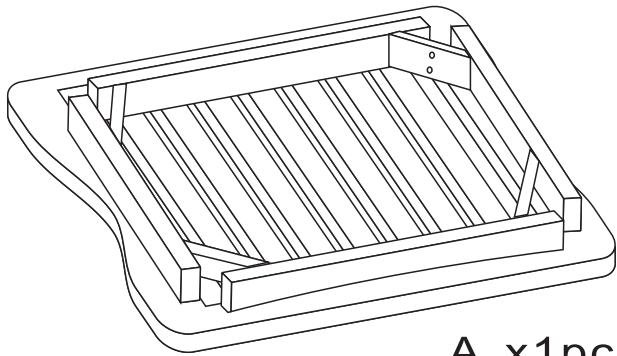
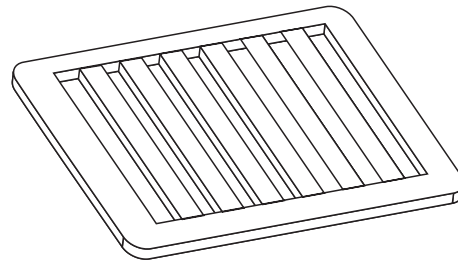


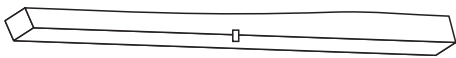
When screwing the bolts in, do not tighten all the way until all 8 bolts are approx 80% tight .
Then proceed to fully tighten all 8 bolts.



A x1pc



B x1pc



C x 2pcs



D x 2pcs



E x8pcs

