

COSTWAY[®]



USER'S MANUAL
GRASS LAWN AERATOR
GT3425

THIS INSTRUCTION BOOKLET CONTAINS IMPORTANT SAFETY INFORMATION. PLEASE READ AND KEEP FOR FUTURE REFERENCE.



Please give us a chance to make it right and do better !

Contact our friendly customer service department for help first.

Replacements for missing or damaged parts will be shipped ASAP!

Follow Costway

Visit us: www.costway.com



Contact Us!

Do NOT return this item.

Contact our friendly customer service department for help first.



Before You Start

- ⦿ Please read all instructions carefully.
- ⦿ Retain instructions for future reference.
- ⦿ Separate and count all parts and hardware.
- ⦿ Read through each step carefully and follow the proper order.
- ⦿ We recommend that, where possible, all items are assembled near to the area in which they will be placed in use, to avoid moving the product unnecessarily once assembled.
- ⦿ Always place the product on a flat, steady and stable surface.
- ⦿ Keep all small parts and packaging materials for this product away from babies and children as they potentially pose a serious choking hazard.

PARTS

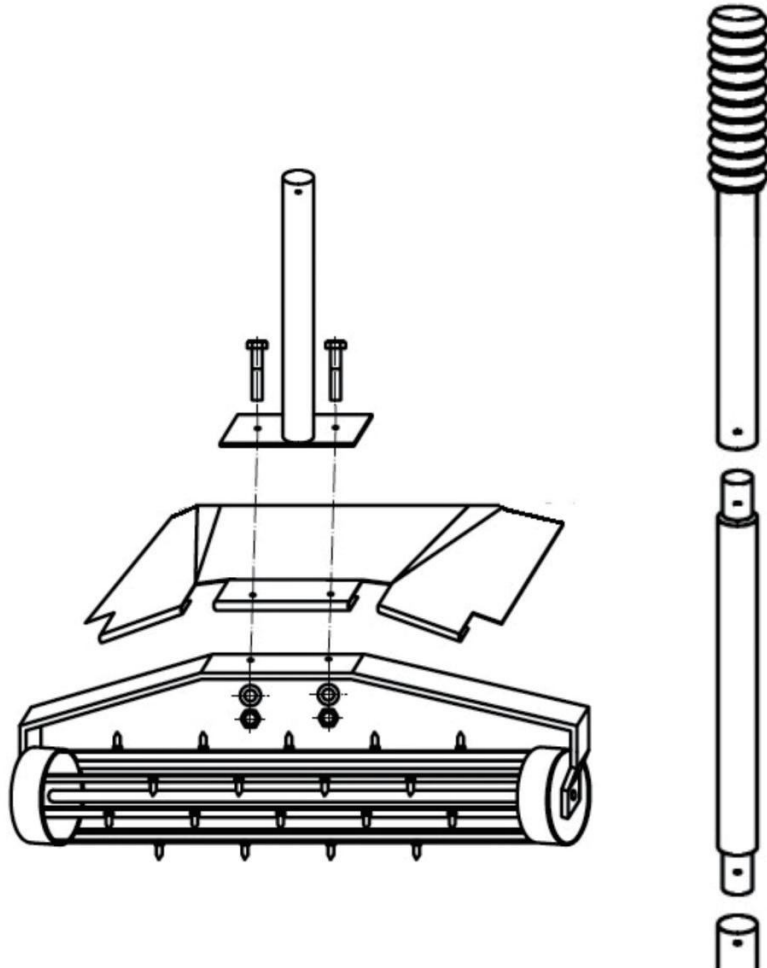
- 1x spike aerator
- 1x protective shield
- 1x lower handle section
- 1x middle handle section
- 1x upper handle section
- 2x 6x20mm bolt
- 2x washer
- 2x lock nut

ASSEMBLY

1. Fit the protective shield over the bar on the top of the spike aerator ensuring the clips on the protective shield hold it in place.
2. Position the lower handle section over the protective shield lining up the two sets of holes. Fix together using bolts, washers and nuts provided.
3. Attach the middle handle section and upper handle section ensuring that the buttons pop out and secure into place.

MAINTENANCE

- Clean after use.
- Store in a cool dry place, such as a garage or shed.
- Periodically, check to ensure that all spikes are firmly secured and tighten if necessary.
- Periodically, lightly oil the axle.



Welcome to visit our website and purchase our quality products!

Your suggestions and comments for COSTWAY are really important to us! We sincerely solicit you to go back to our shop and leave a good rating in just a simple click. It would be quite encouraging if you could kindly do so like below:

★★★★★ Great products so far

February 24, 2019

Great products so far. Fast delivery, easy setup, and working without any issues.

With your inspiring rating, COSTWAY will be more consistent to offer you EASY SHOPPING EXPERIENCE, GOOD PRODUCTS and EFFICIENT SERVICE!

US office: Fontana, California

UK office: Ipswich



- * Reward Points
- * Exclusive Customer Service
- *
- * Permanent Shopping Cart
- * Order History

5 Star Rating



We would like to extend o

this product and giving us valuable feedbacks.

THANK
YOU
☺