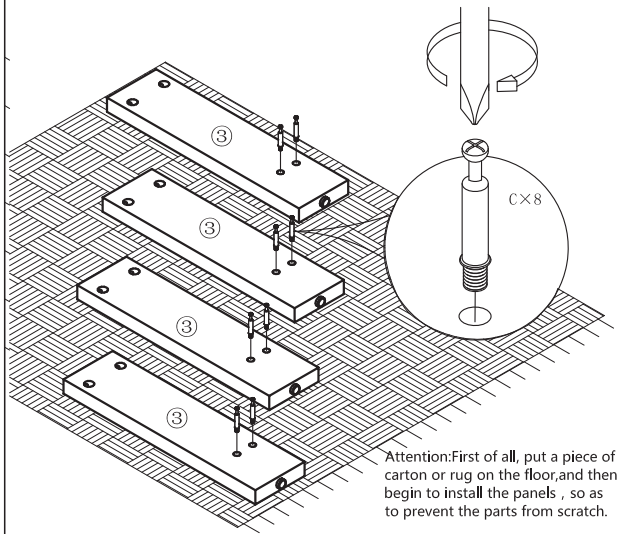
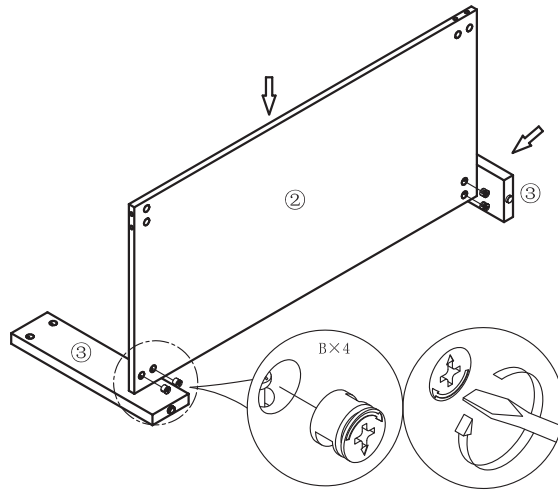


STEP 1

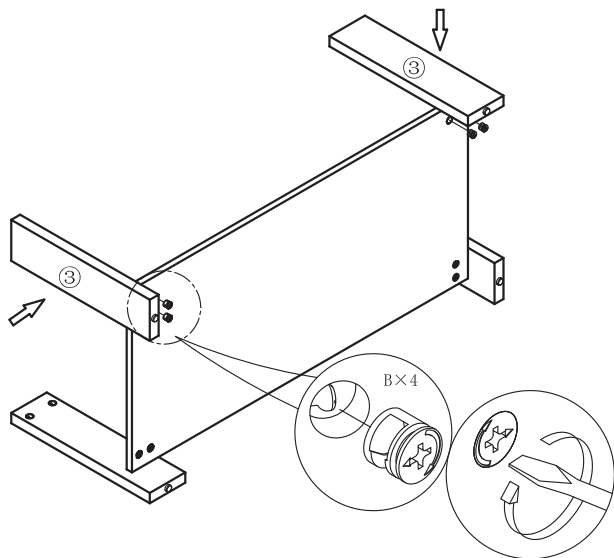


Attention: First of all, put a piece of carton or rug on the floor, and then begin to install the panels, so as to prevent the parts from scratch.

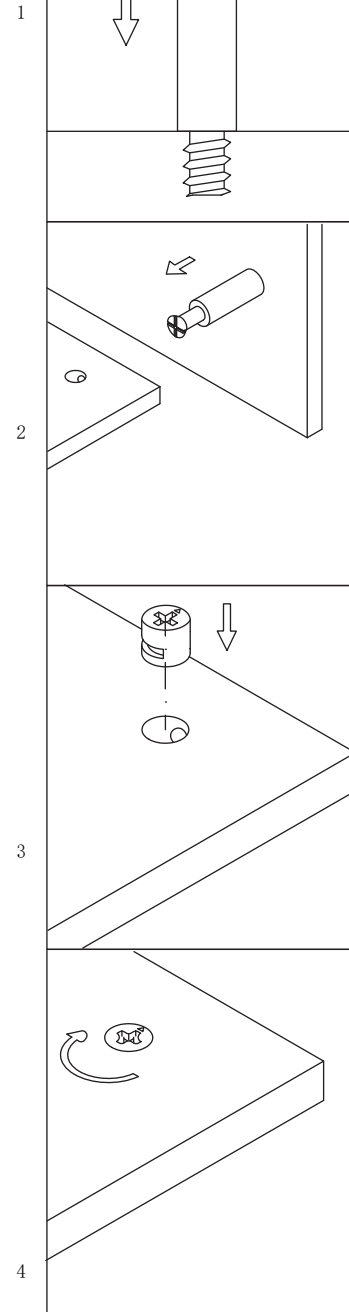
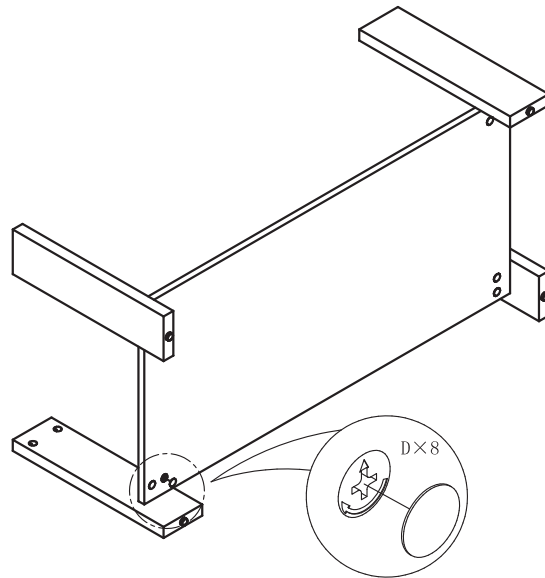
STEP 2



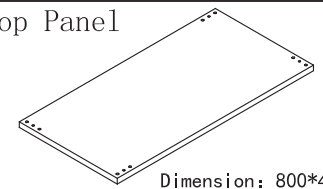
STEP 3



STEP 4



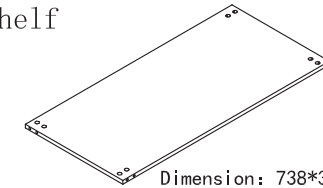
① Top Panel



1PC

Dimension: 800*400*28

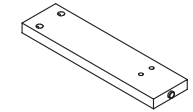
② Shelf



1PC

Dimension: 738*338*15

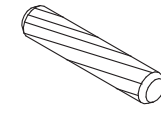
③ Leg



4PCS

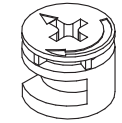
Dimension: 387*100*28

A. Dowel



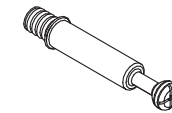
4PCS

B. Cam Lock



16PCS

C. Cam Pin



16PCS

D. Cam Cover

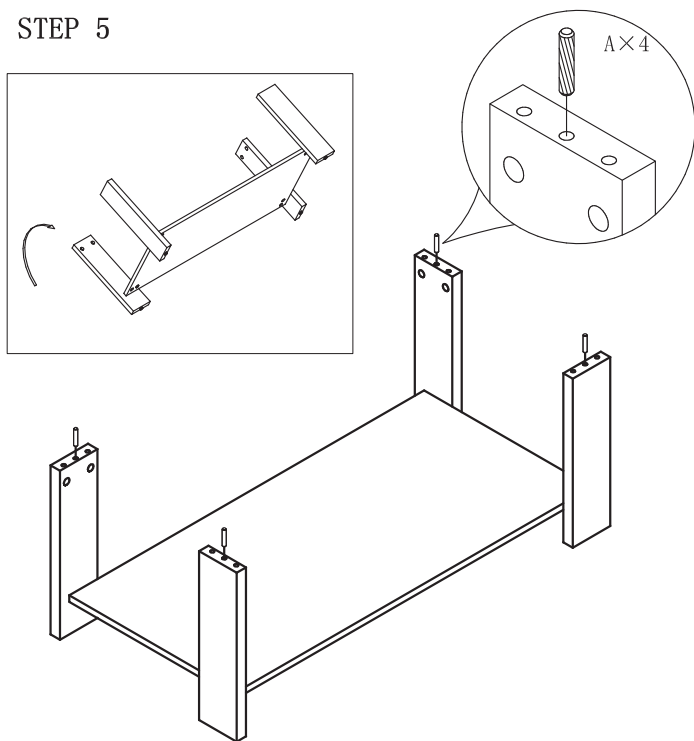


16PCS

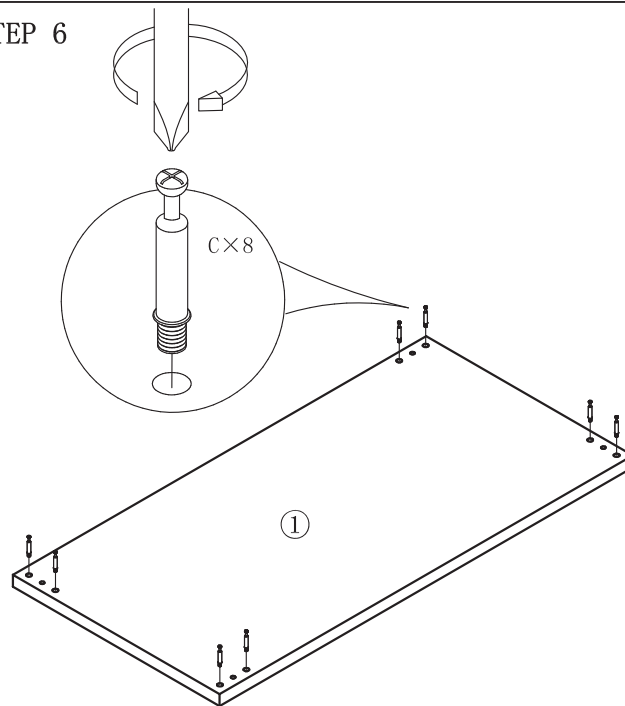
Model: HW56758

Dimension: 800*400*420H

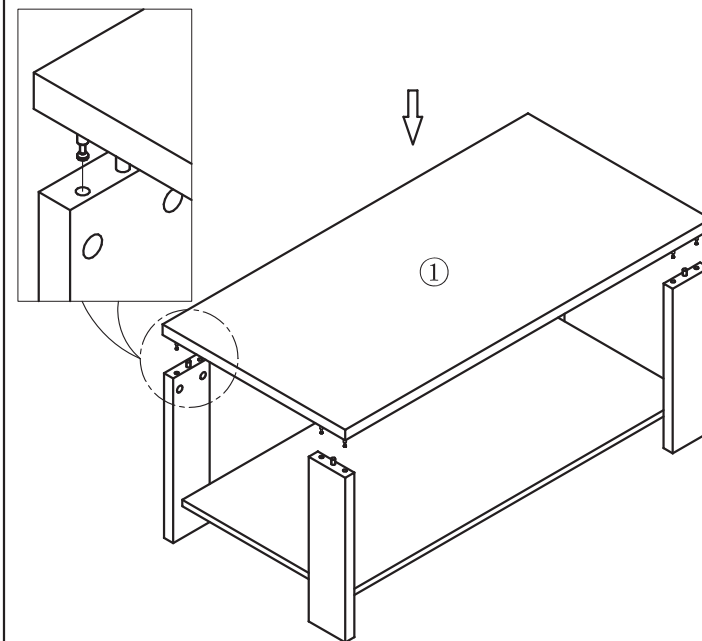
STEP 5



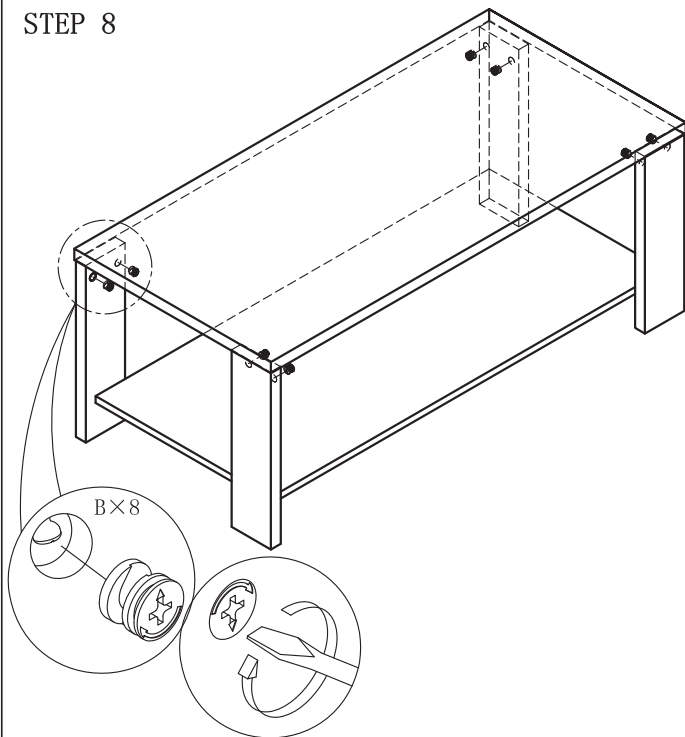
STEP 6



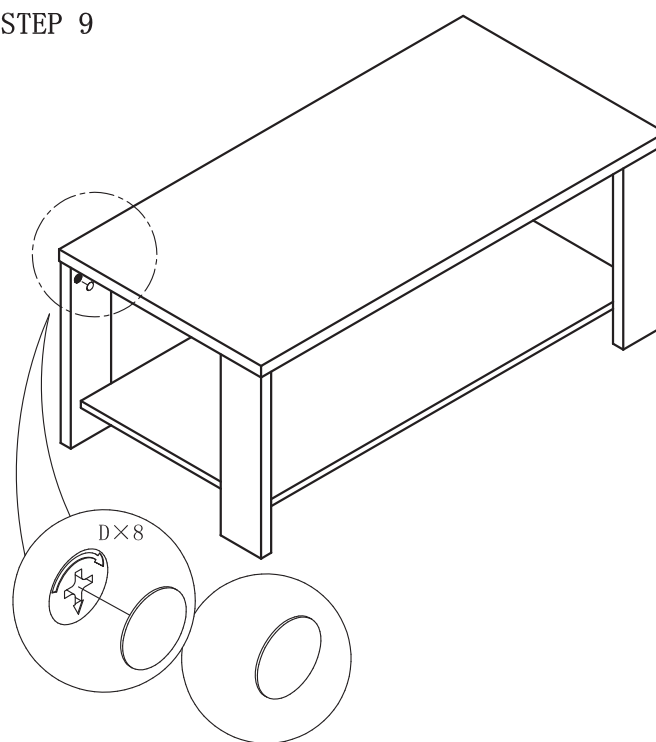
STEP 7



STEP 8



STEP 9



STEP 10

