



**TIPS:**

Your suggestions and comments for Costway are really important to us!  
We sincerely solicit you to go back to our shop and leave a good rating in just a simple click. It would be quite encouraging if you could kindly do so like below:

★★★★★ Great products so far

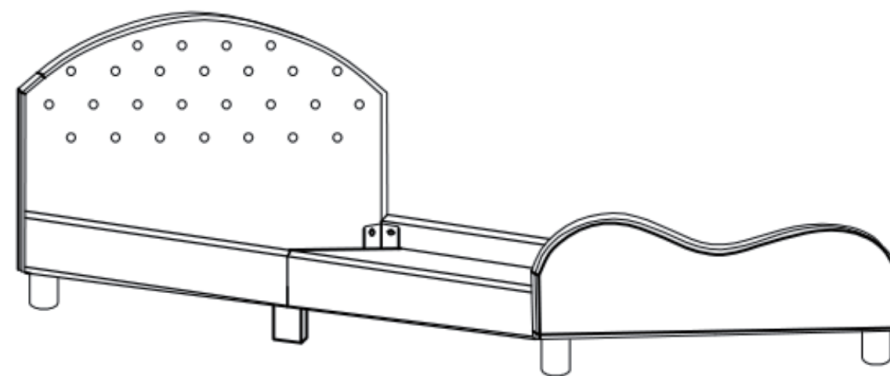
February 24, 2018

Great product so far. Fast delivery, easy setup, and working without any issues.

With your inspiring rating, Costway will be more consistent to offer you  
**EASY SHOPPING EXPERIENCE, GOOD PRODUCTS and EFFICIENT SERVICE!**

US office:Fontana

UK office:lpswich



**USER'S MANUAL**

**Children Bed**

**HW59101**



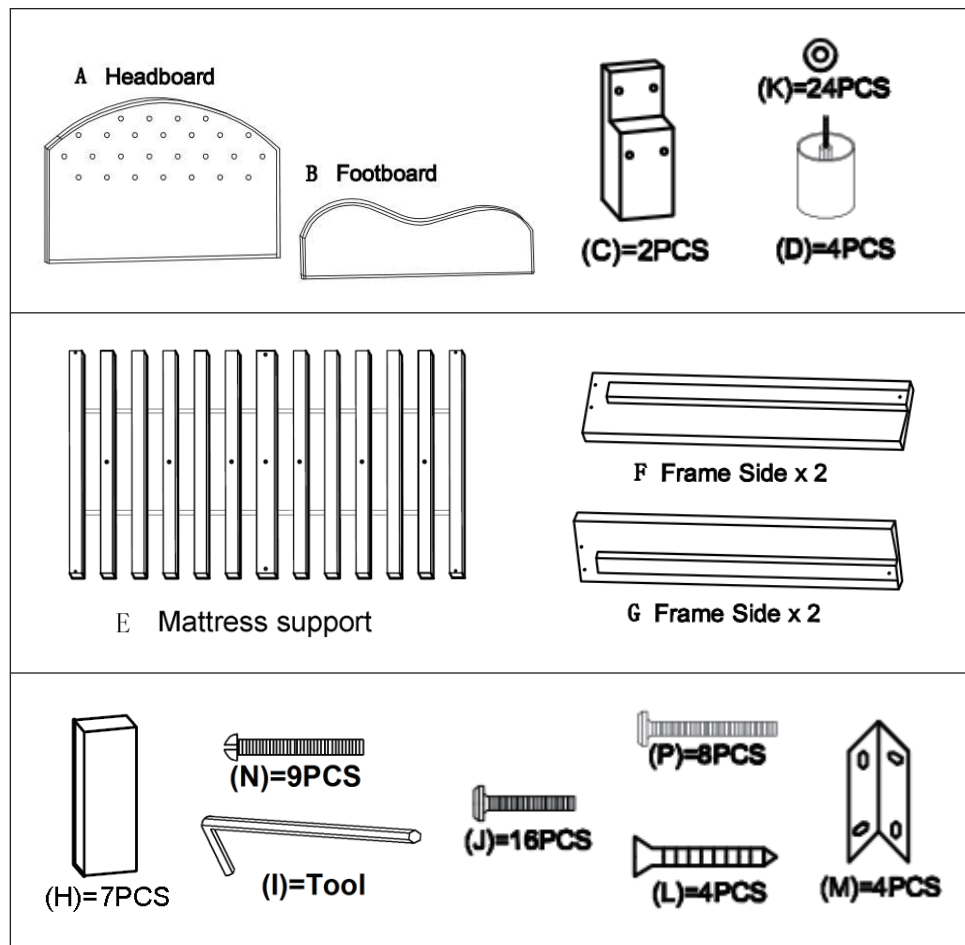
**PRODUCT ASSEMBLY**

Read all instructions before assembly and use.  
 KEEP INSTRUCTIONS FOR FUTURE USE .  
 Due to the presence of small parts during assembly, keep out of reach of children until assembly is completed.

**CAUTION**

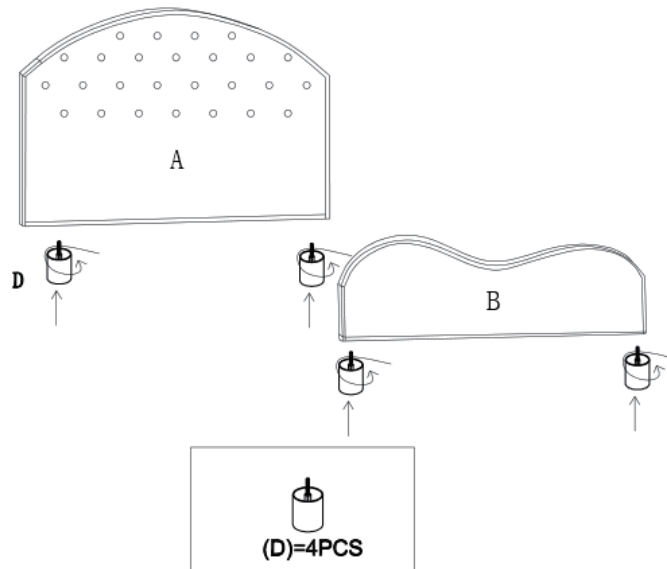
DO NOT use this bed without a mattress. Infants who cannot get in and out of a twin bed without help can be trapped between a mattress and a wall and suffocate. NEVER place infants in twin beds with or without guardrails in place. NEVER use bed with children under 3 years. Never place bed near windows where cords from blinds or drapes may strangle a child. Do not place items with a string, cord, or ribbon around a child's neck, such as hood strings or pacifier cords. Do not suspend strings over a child's bed for any reason.

**PARTS**



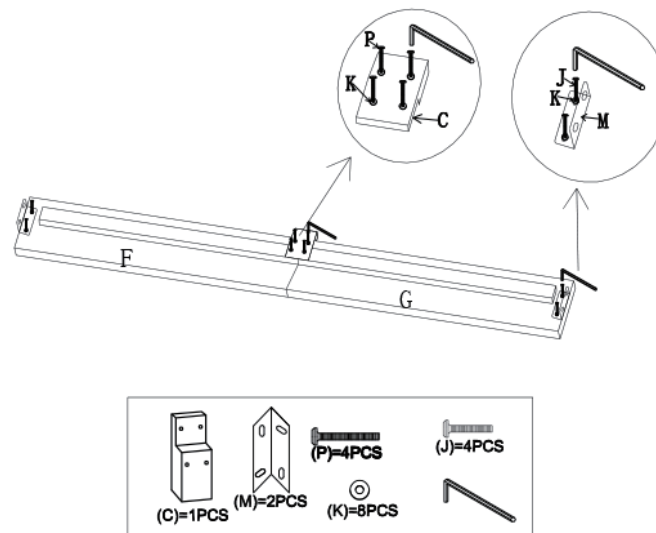
**PRODUCT ASSEMBLY**

**1**



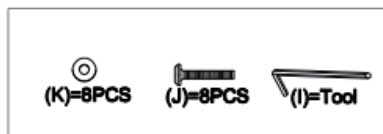
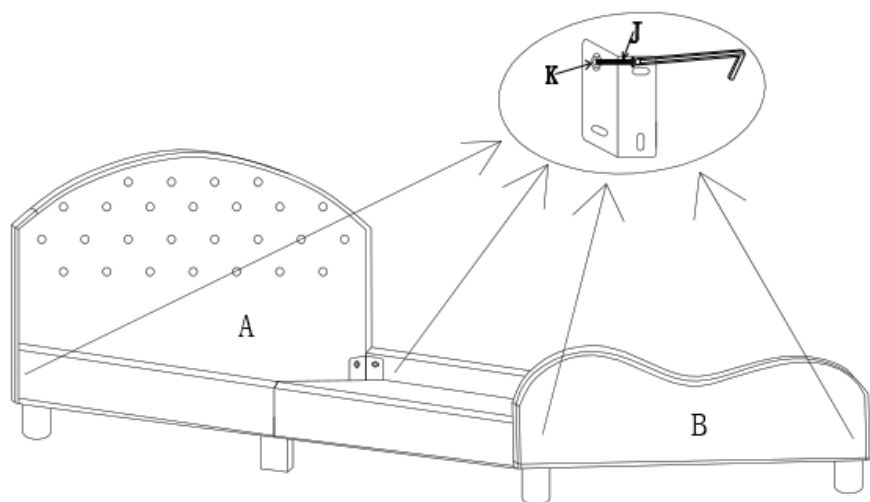
Attach the legs (D) to headboard (A) and foot board (B), fasten completely.

**2**



Align F -Frame side and G-Frame side with wooden center leg(C), fasten with washers (K) and screws (P). Align brackets (M) to the end of side boards (F)(G) , fasten with washers (K) and screws (J)

3



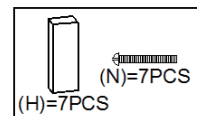
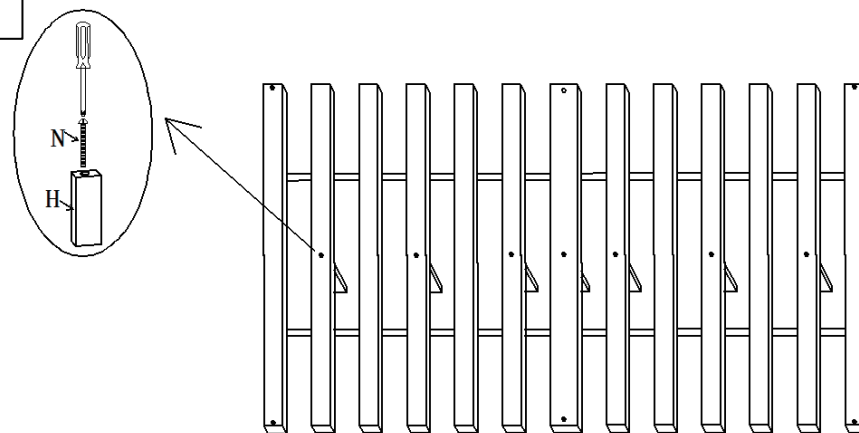
Align assembled side frame to Headboard (A), and attach with washers (K) and screws (J).

Do not tighten screws completely.

Align assembled side frames to Footboard (B), and attach with washers (K) and screws (J).

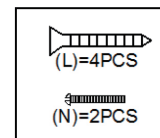
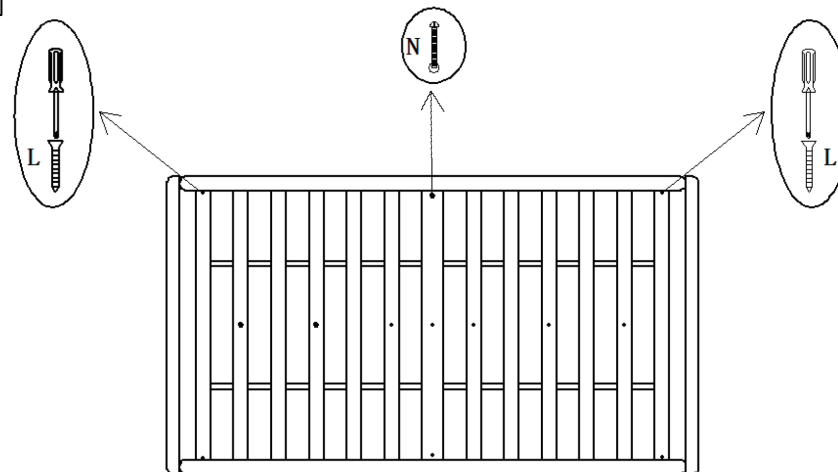
Tighten all screws for steps 3 and 4.

4



Fasten wooden support (H) to the Mattress Support with screws (N) by Household screwdriver.

5



Assemble Mattress Support.  
Place the assembled mattress support (E) on the bed frame. Ensure the middle slat, and end slats which next to headboard and footboard with screw (L).