






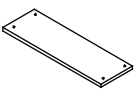
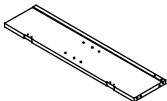
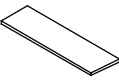
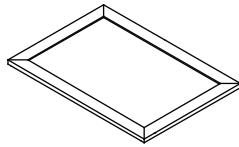
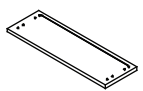
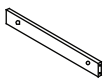
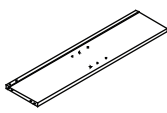
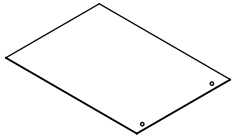


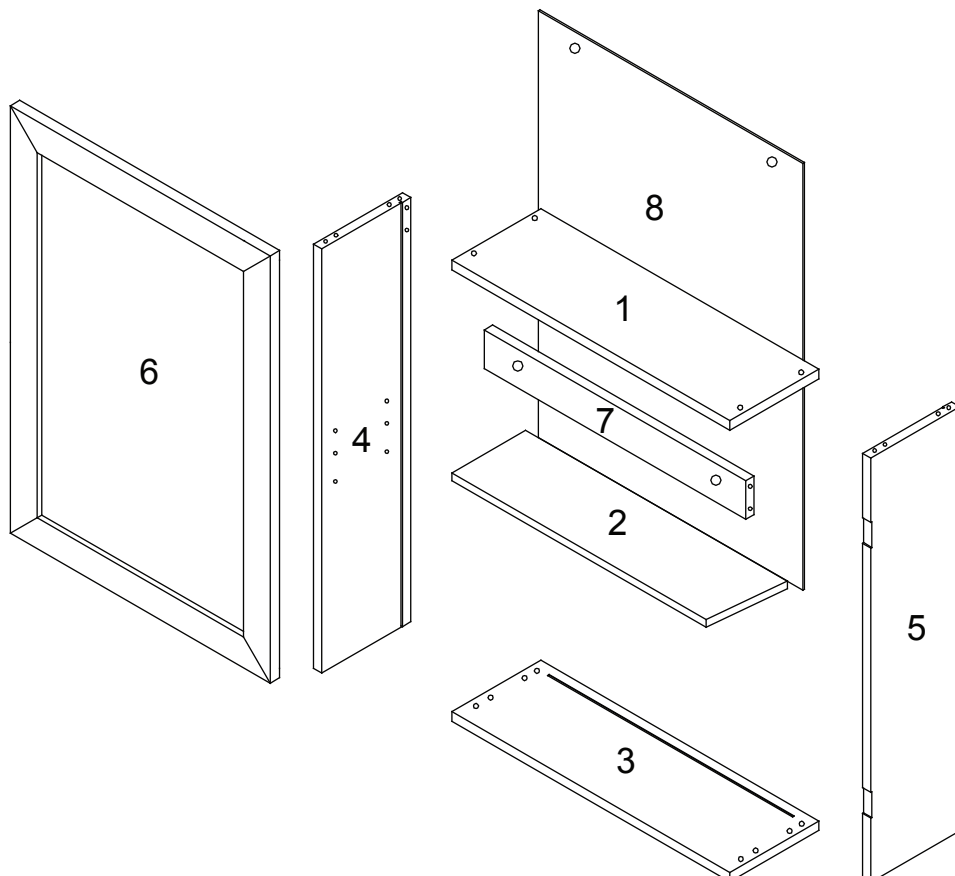
Hardware List

A		12 pcs	D		2 pcs	G		4 pcs
B	 4*35mm	8 pcs	E	 3*12mm	8 pcs			
C	 4*40mm	2 pcs	F		2 pcs			

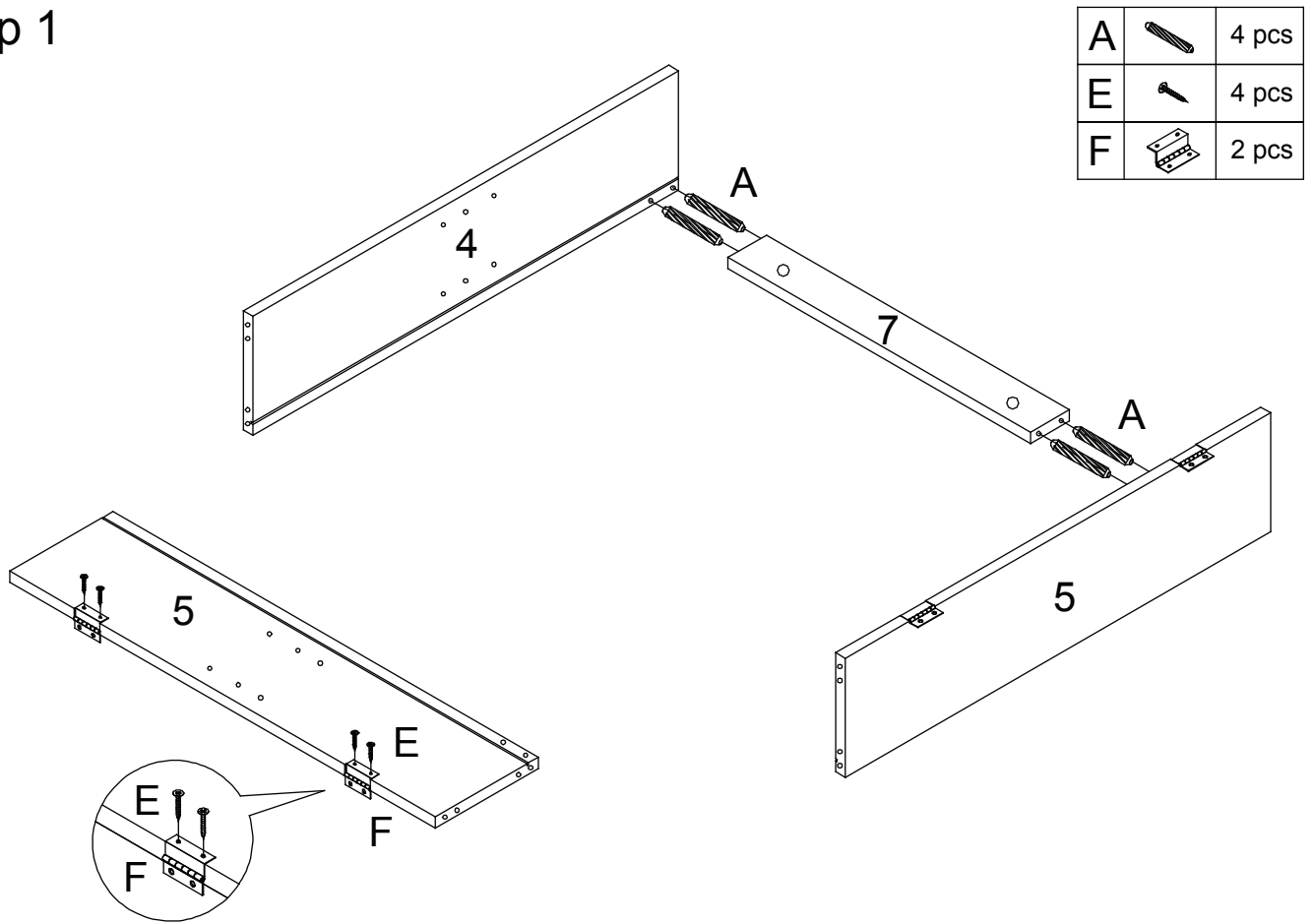
Parts List

1		1 pc	5		1 pc
2		1 pc	6		1 pc
3		1 pc	7		1 pc
4		1 pc	8		1 pc

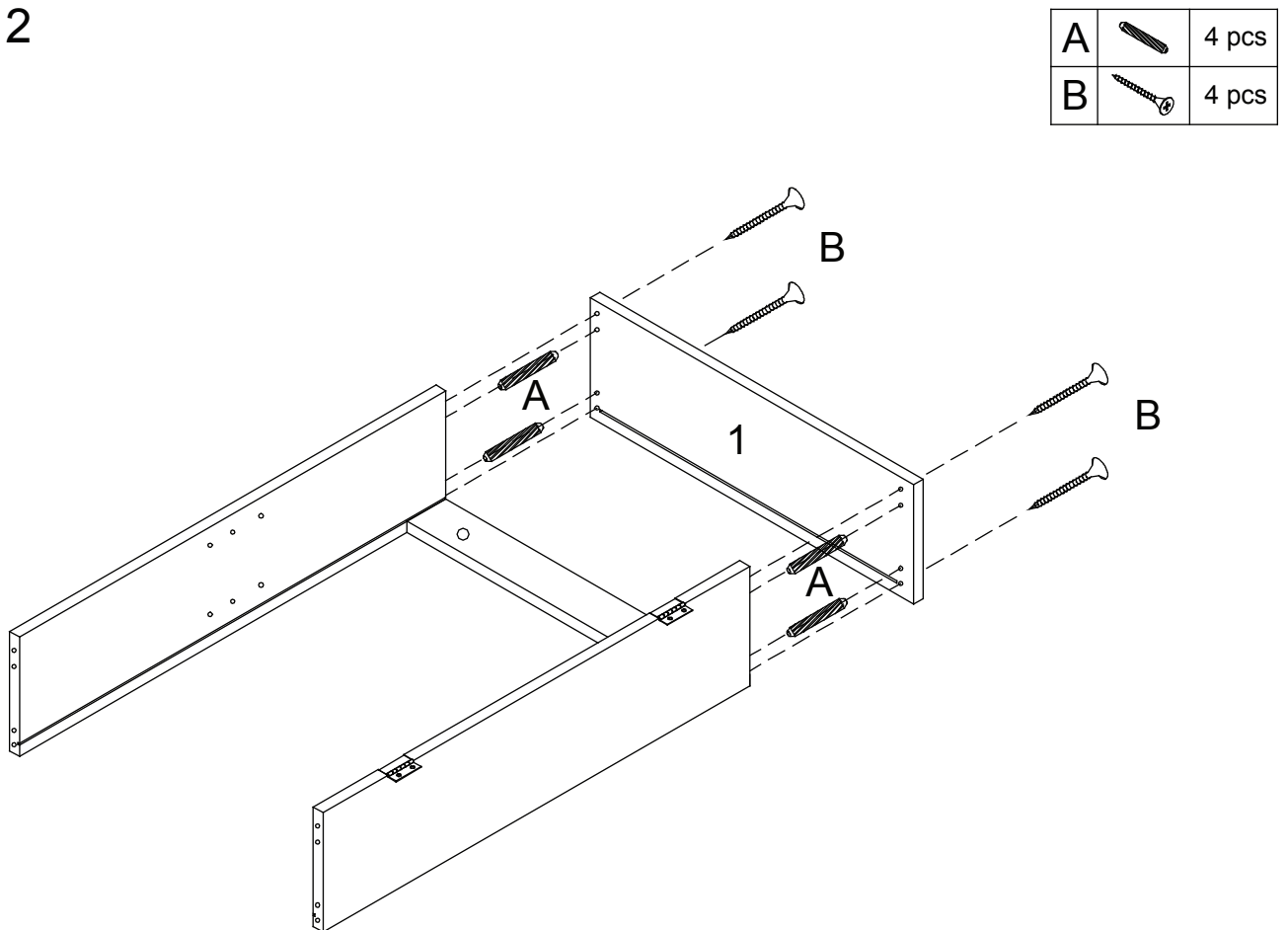
Part List Assembly Overview



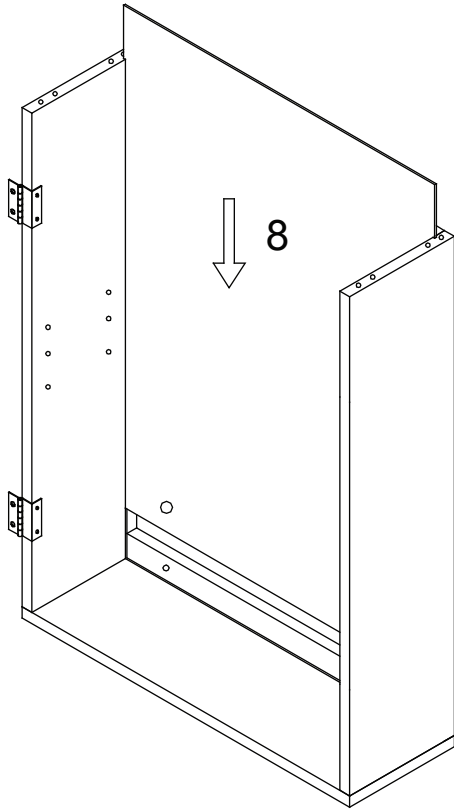
Step 1



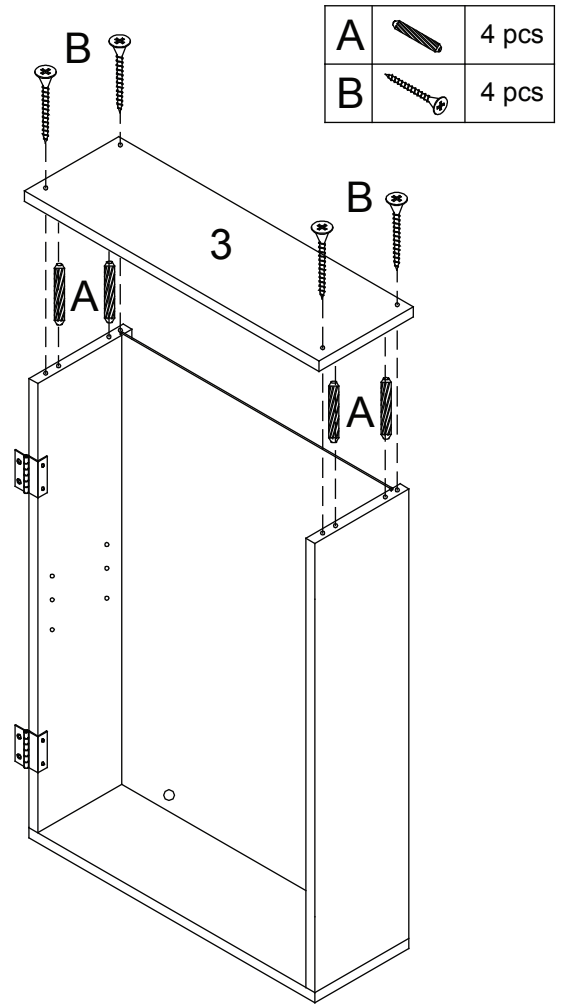
Step 2



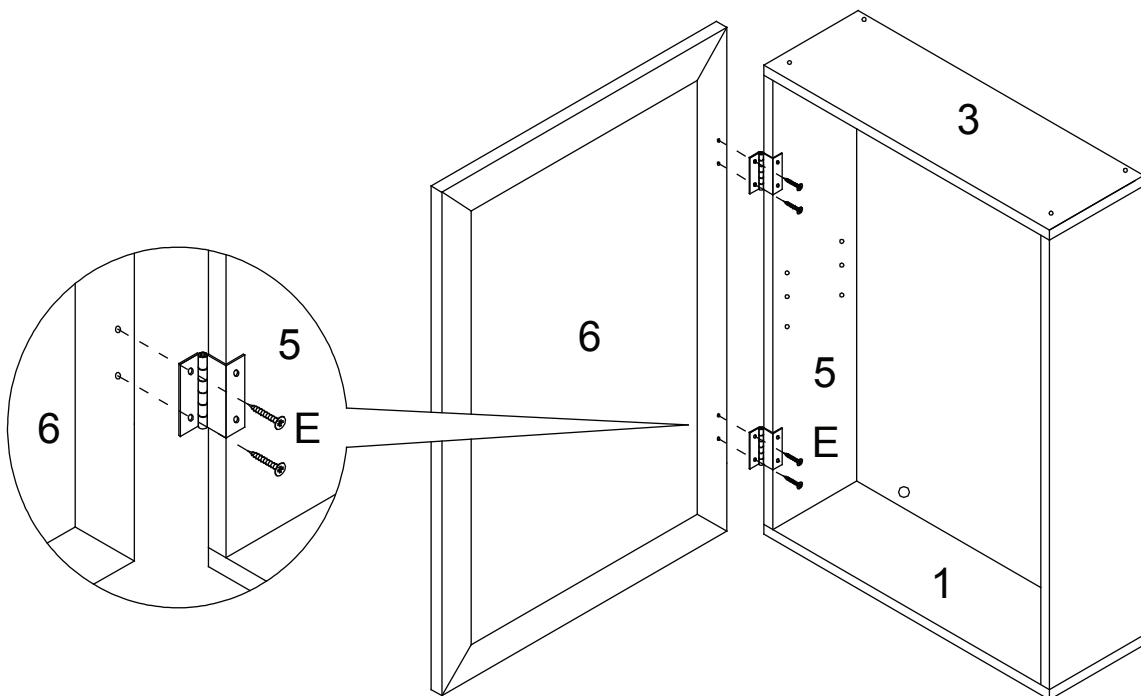
Step 3



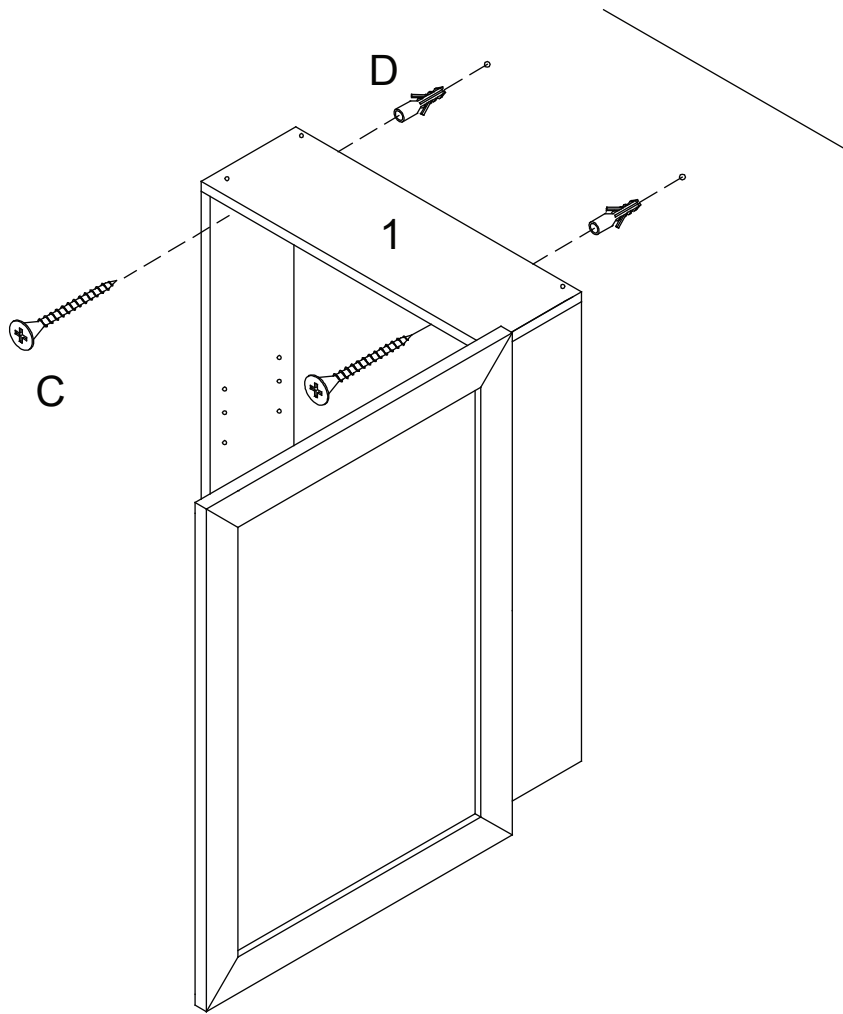
Step 4

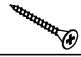



Step 5

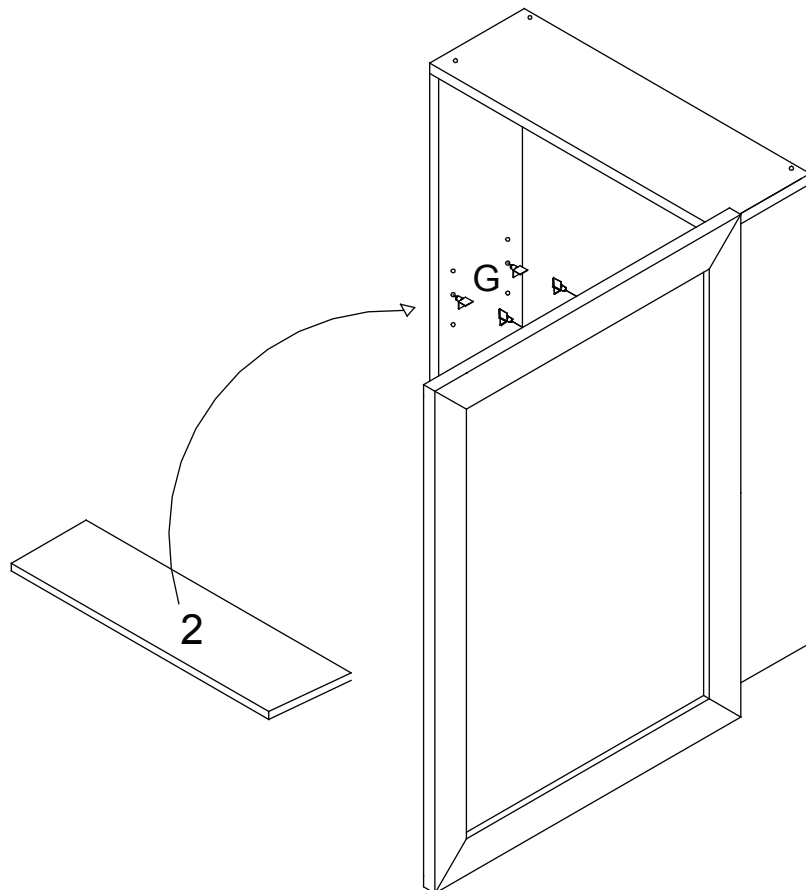


Step 6



C		2 pcs
D		2 pcs

Step 7



G		4pcs
---	---------------------------------------------------------------------------------------	------

