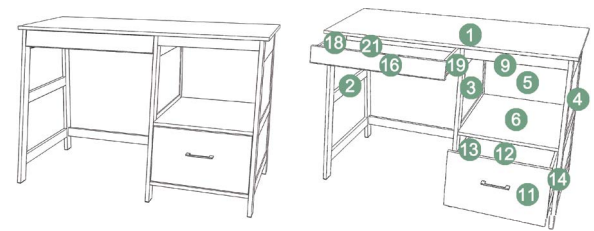




**USER'S MANUAL**  
**Computer Desk With Drawer**  
**HW63087**

THIS INSTRUCTION BOOKLET CONTAINS **IMPORTANT** SAFETY INFORMATION. PLEASE READ AND KEEP FOR FUTURE REFERENCE



TOOLS

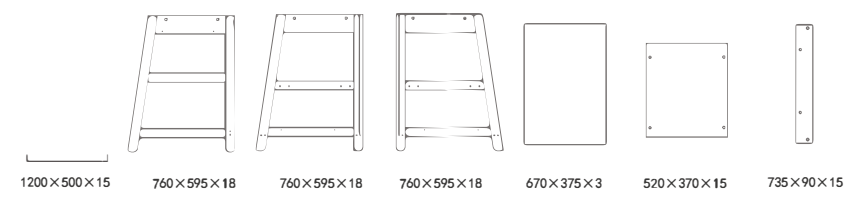


≈ 1 hour



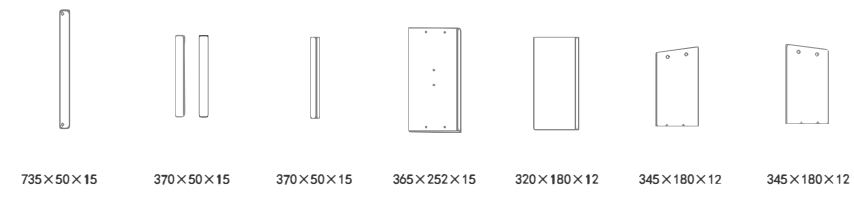
UNIT:MM

- 1
- 2
- 3
- 4
- 5
- 6
- 7

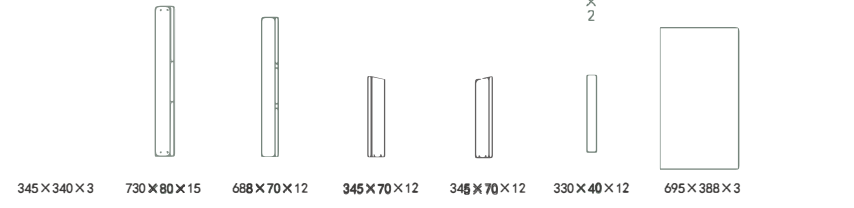


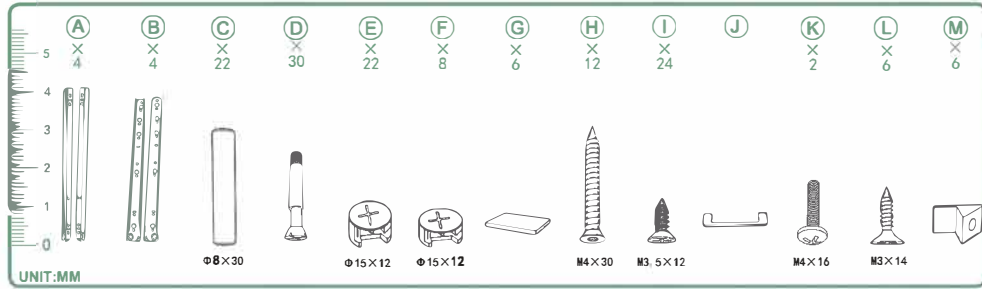
UNIT:MM

- 8
- 9
- 10
- 11
- 12
- 13
- 14

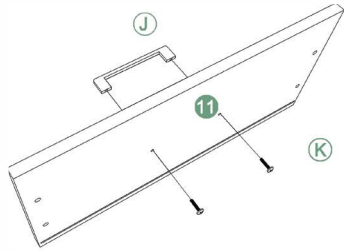


- 15
- 16
- 17
- 18
- 19
- 20  
x 2
- 21

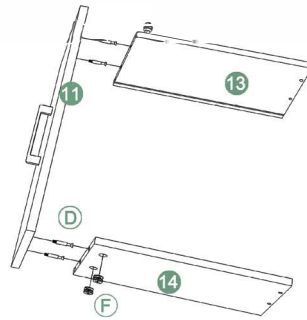




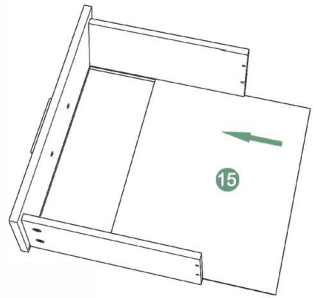
1.



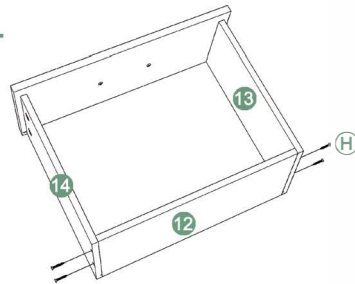
2.



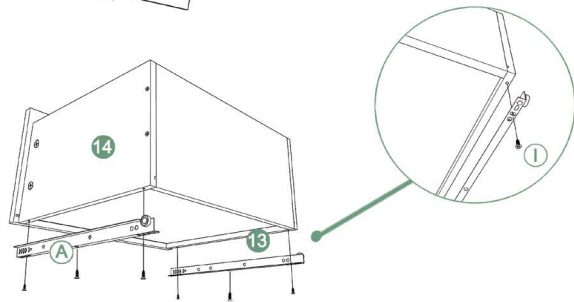
3.



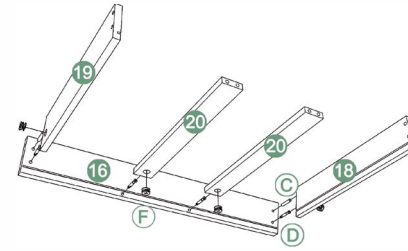
4.



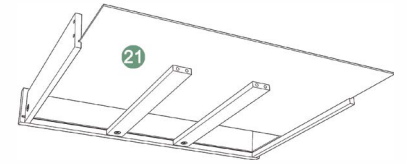
5.



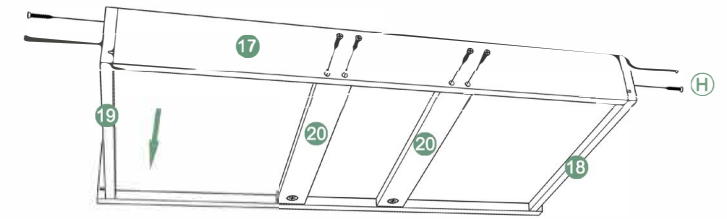
6.



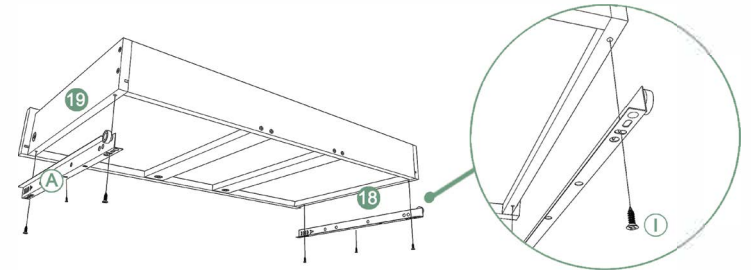
7.



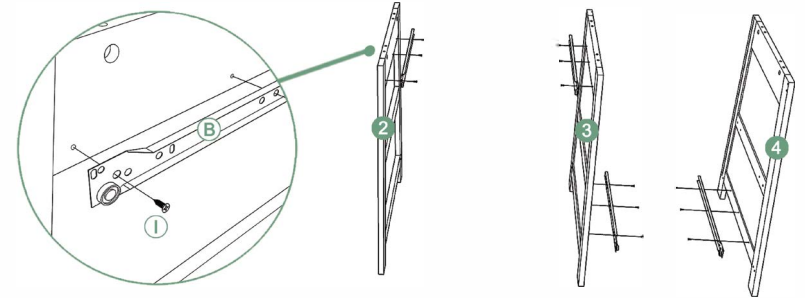
8.



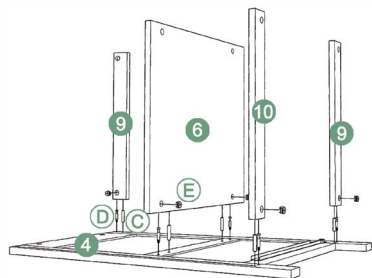
9.



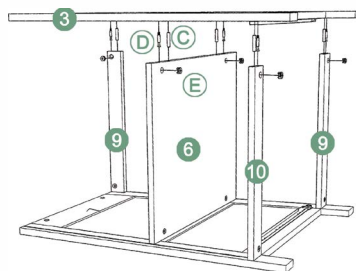
10.



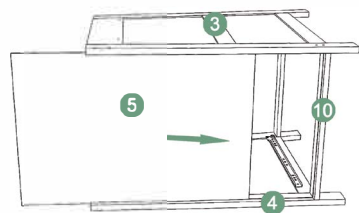
11.



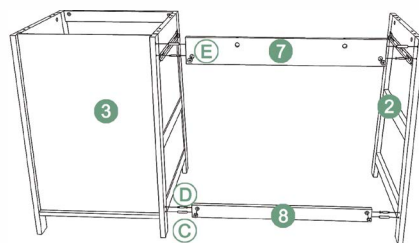
12.



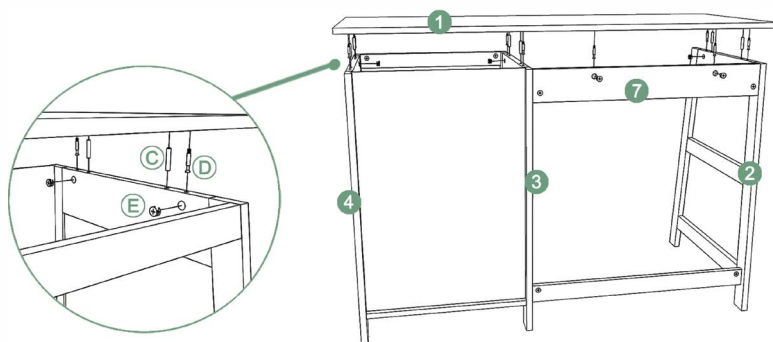
13.



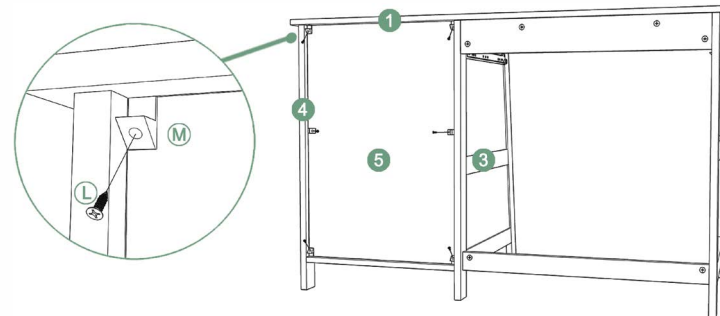
14.



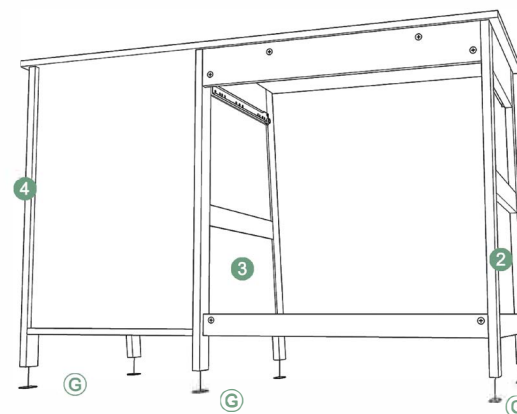
15.



16.



17.



18.

