



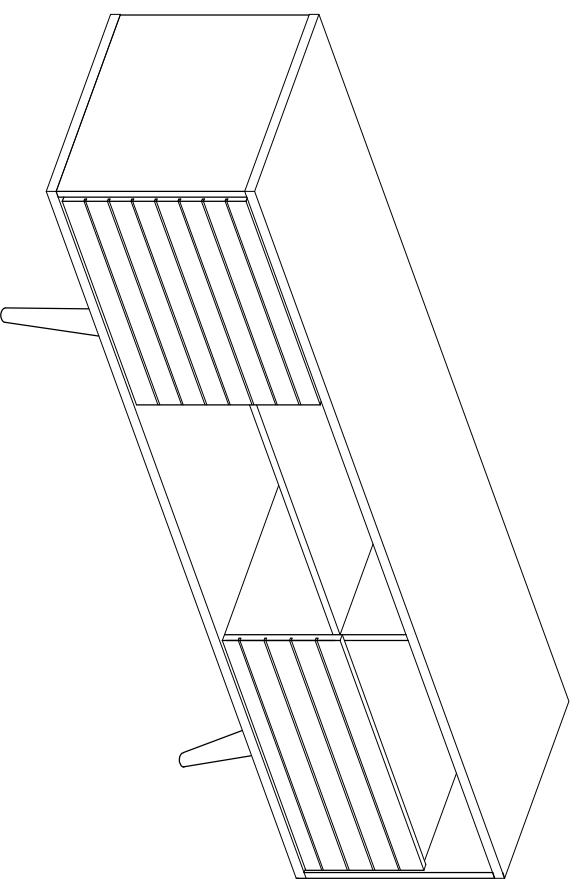
COSTWAY®

Please give us a chance to make it right and do better !

Contact our friendly customer service department for help first.

Replacements for missing or damaged parts will be shipped ASAP !

US office: Fontana UK office: Ipswich



USER'S MANUAL

TV Cabinet

HW63442

HW63443

HW63444

Contact Us !

Do NOT return this item.

Contact our friendly customer service department for help first.



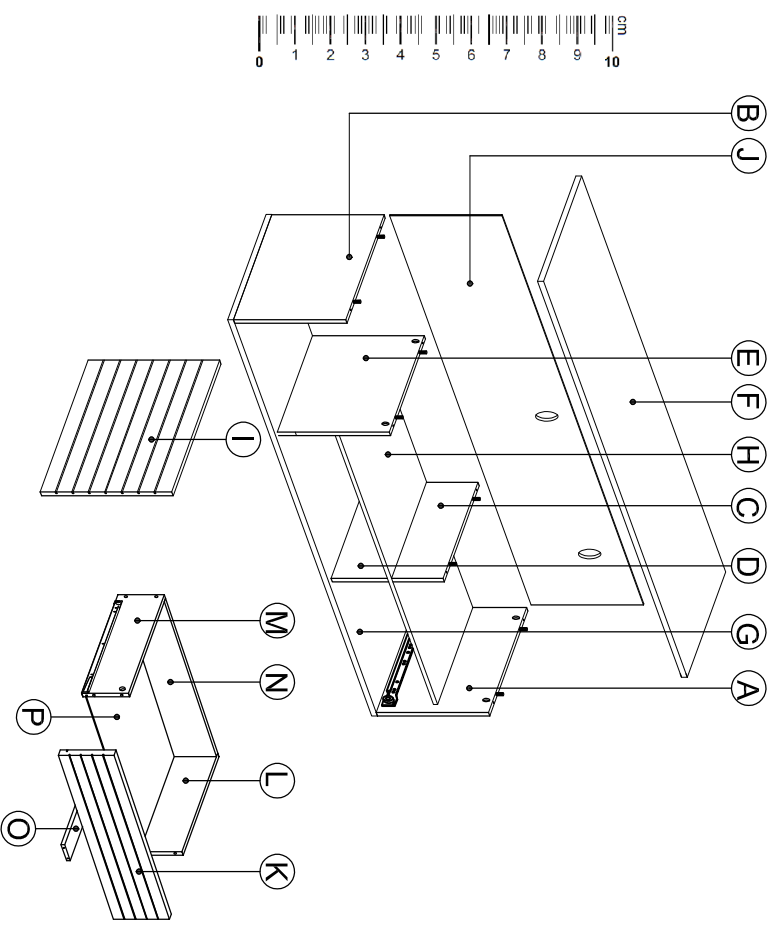
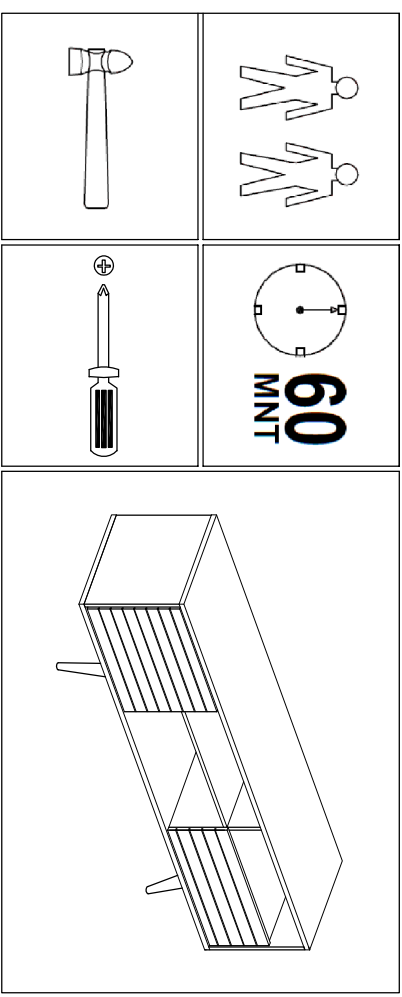
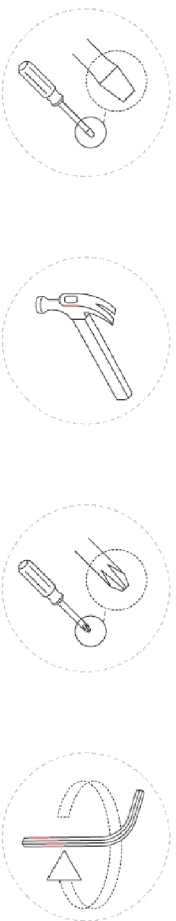
US: cs.us@costway.com
UK: cs.uk@costway.com















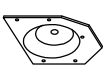

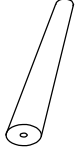
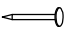

THIS INSTRUCTION BOOKLET CONTAINS **IMPORTANT** SAFETY INFORMATION. PLEASE READ AND KEEP FOR FUTURE REFERENCE.



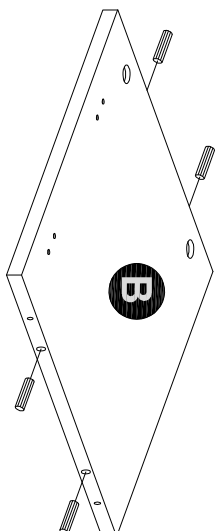
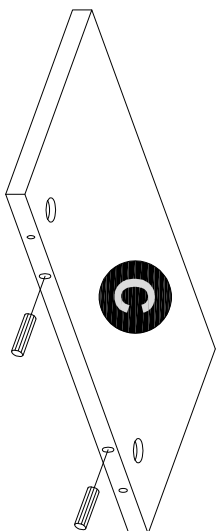
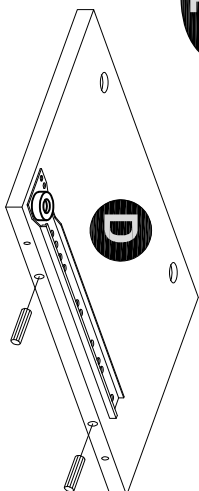
Before You Start

- ⚠ Read each step carefully before starting. It is very important to ensure each step followed in correct order, otherwise assembly difficulties may occur.
- ⚠ Most of board parts are labeled or stamped on the raw edges. Have a check to make sure all parts are included.
- ⚠ Work in a spacious area, preferably on a carpet close to where the unit will be used.
- ⚠ Keep the handtools close at hand. Do not use power tools to assemble your furniture. They may scratch or damage the parts.

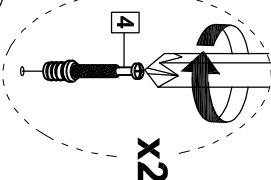
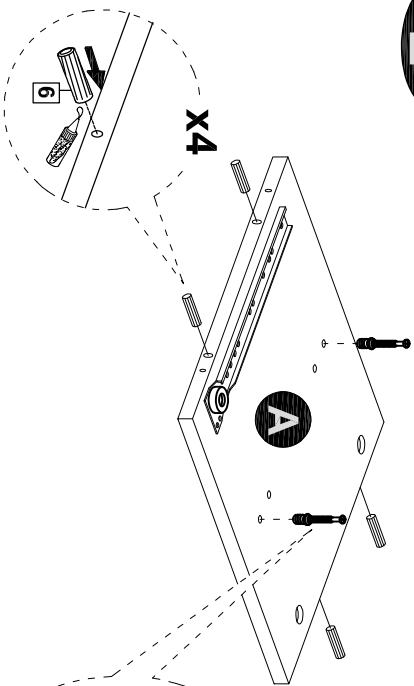


1	x1		Glue 10cc
2	x14		Dia 15mm 12mm
3	x2		Dia 15mm 9mm
4	x16		M6.5 x 32mm
5	x2		M8 x 38mm
6	x24		Dia 6 x 30mm
7	x4		Ø27mm
8	x8		M4 x 16mm
9	x2		7/8
10	x6		M3.5 x 25mm
11	x20		M3.5 x 16mm
12	x1		M5
13	x1		M4
14	x4		M8 x 35mm
15	x4		LEG BRACKET
16	x8		M7 x 50mm
17	x4		Ø45 / 27mm (240mm)
18	x30		NAIL
19	x2		ANTI TIP STRAP


1



2




6 **x4**




Dia 6 x 30mm

1 **x1**




Glue 10cc

4 **x2**




M6.5 x 32mm

6 **x8**



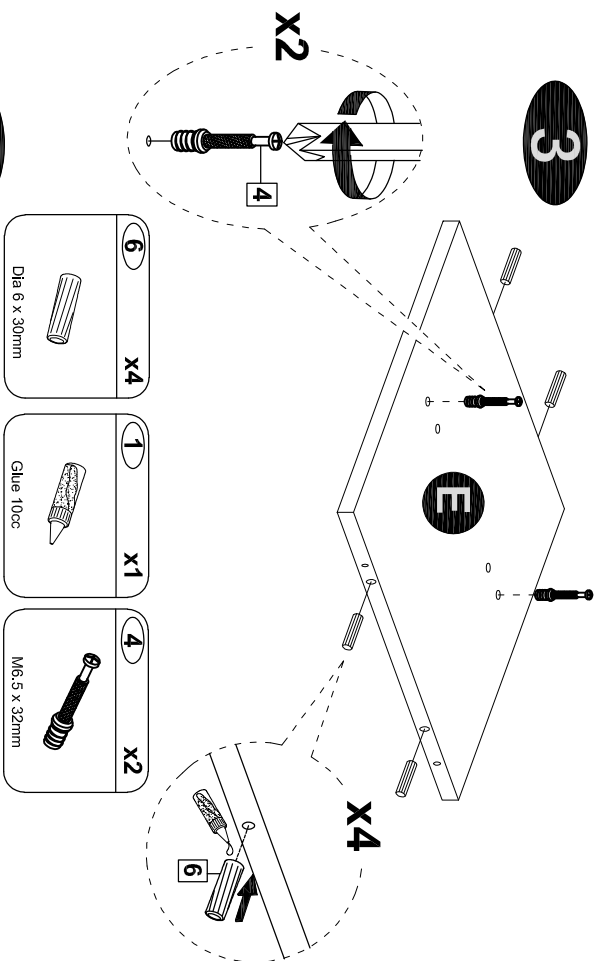
Dia 6 x 30mm

1 **x1**



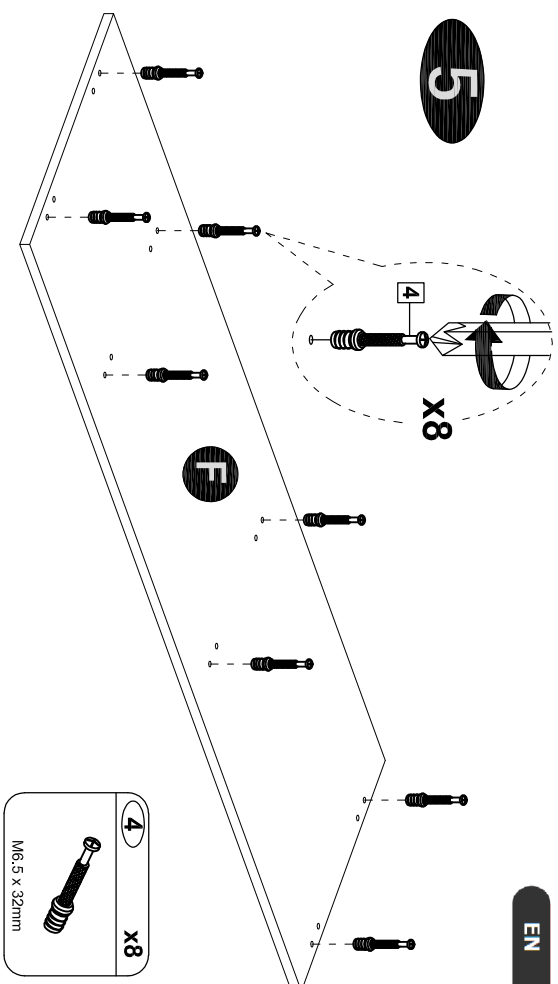
Glue 10cc

3



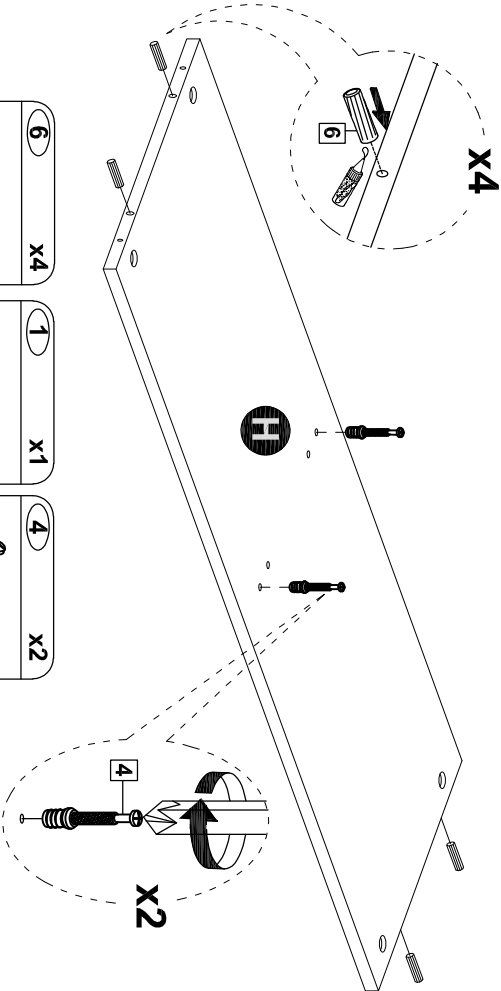
- 6** x4
Dia 6 x 30mm
- 1** x1
Glue 10cc
- 4** x2
M6.5 x 32mm

5



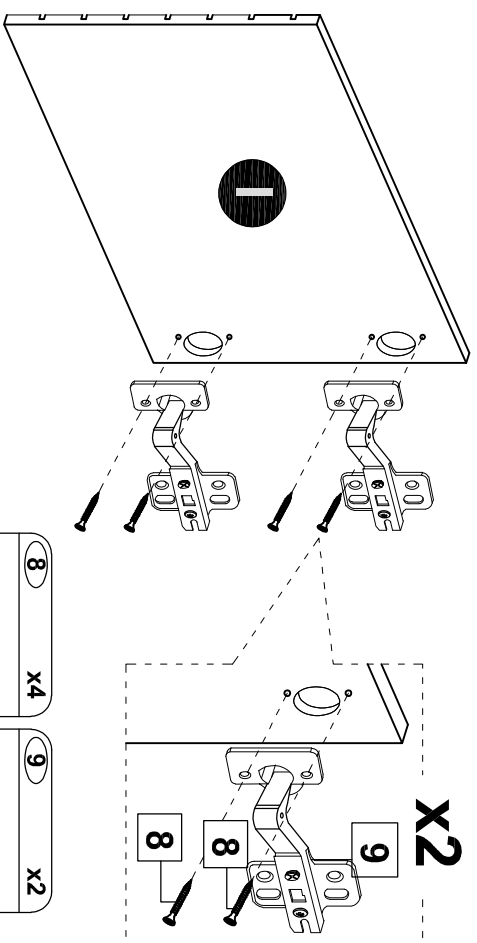
- 4** x8
M6.5 x 32mm

4



- 6** x4
Dia 6 x 30mm
- 1** x1
Glue 10cc
- 4** x2
M6.5 x 32mm

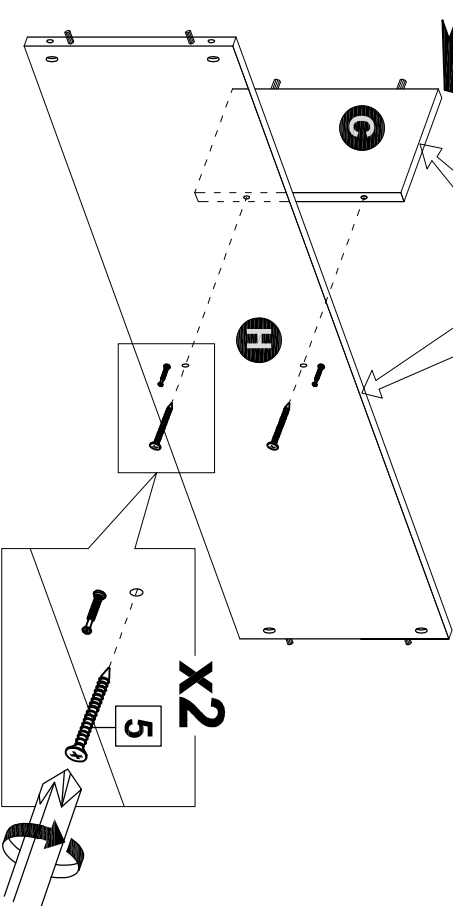
6



- 8** x4
M4 x 16mm
- 9** x2
7/8

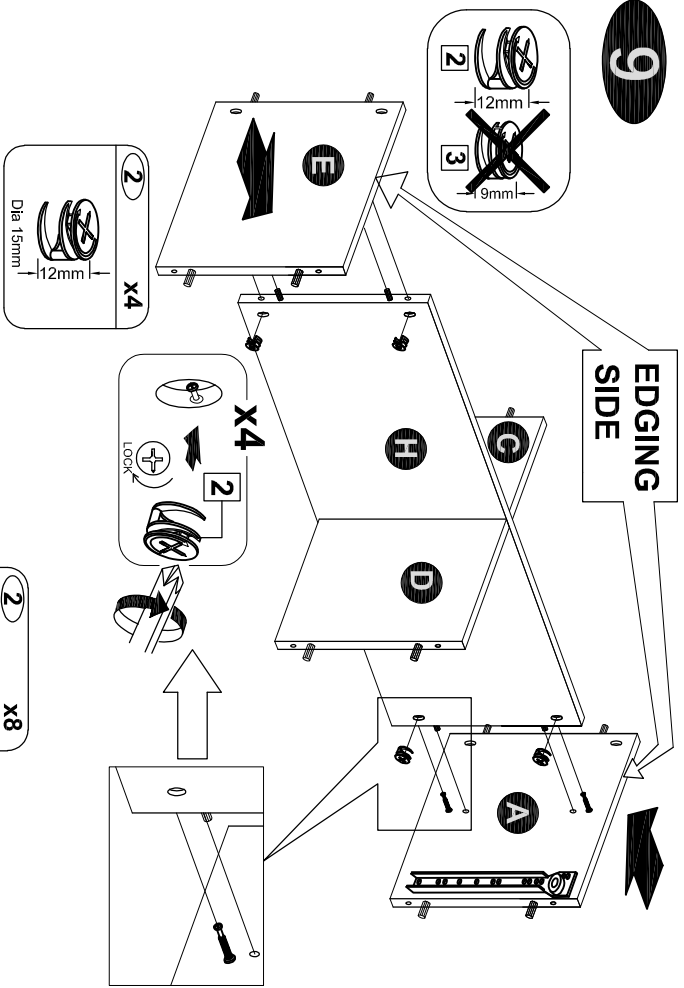
7

EDGING
SIDE



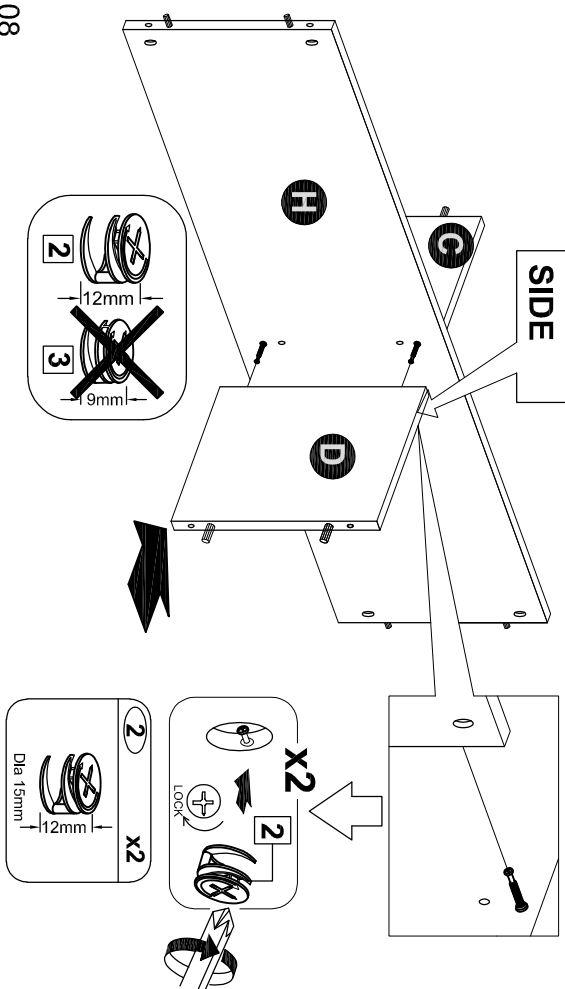
9

EDGING
SIDE

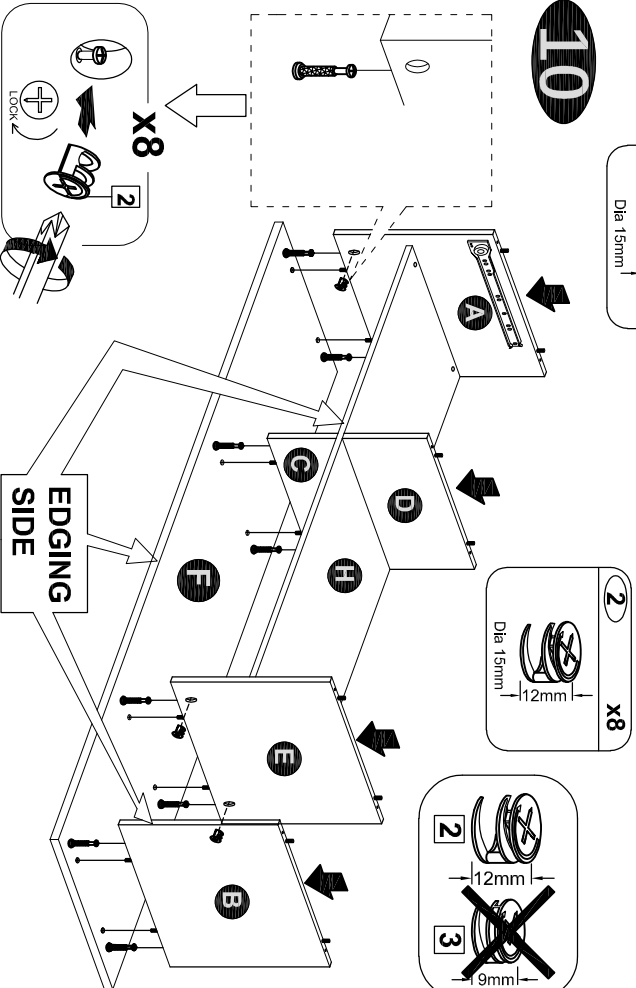


8

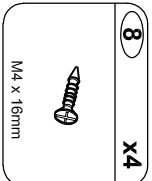
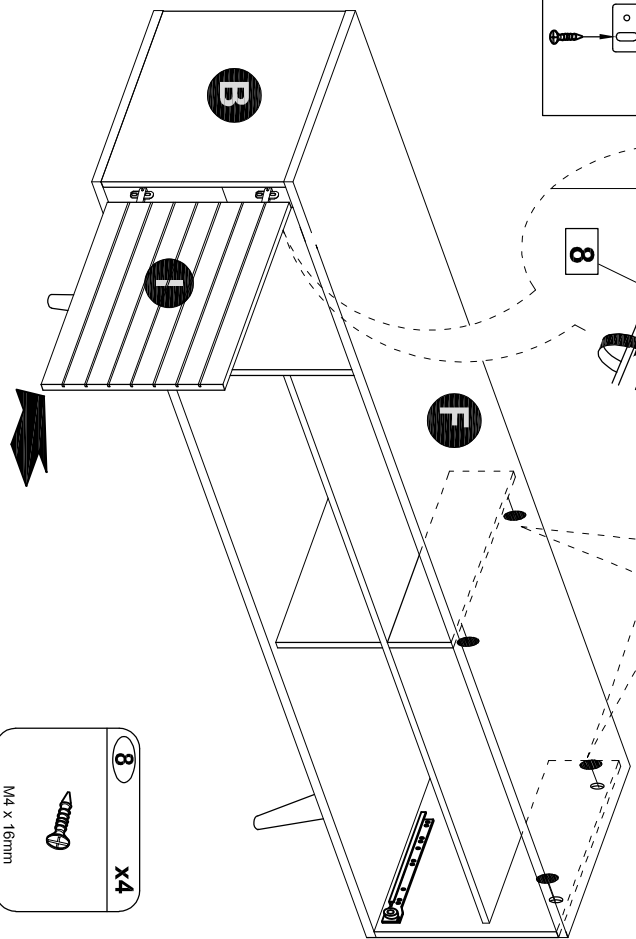
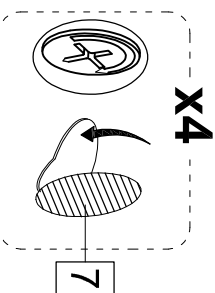
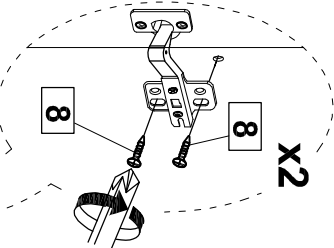
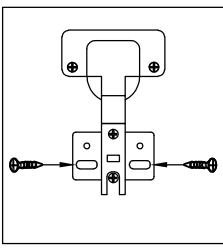
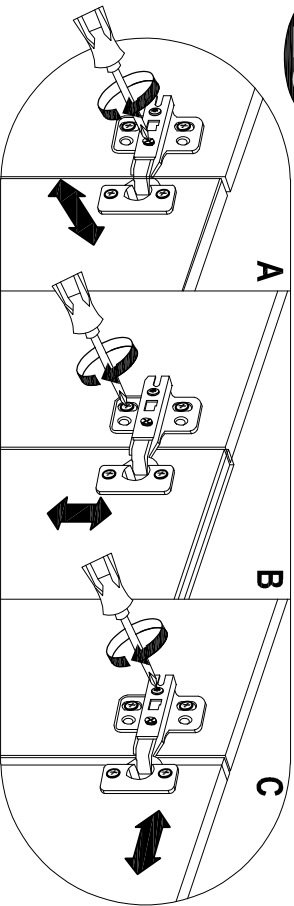
EDGING
SIDE



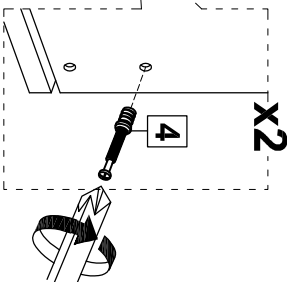
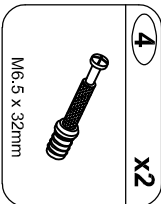
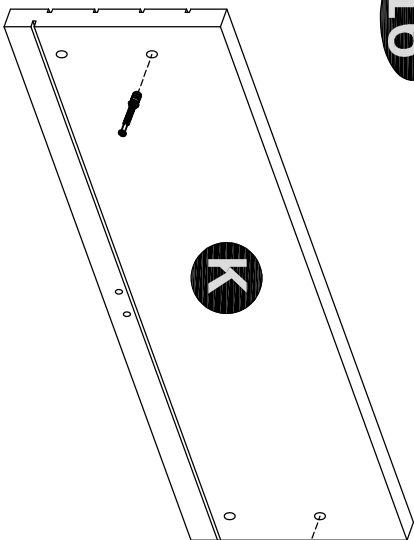
10



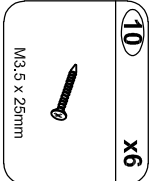
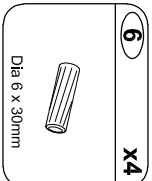
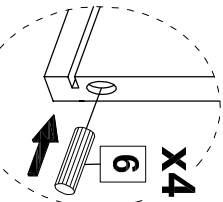
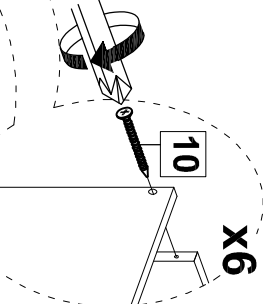
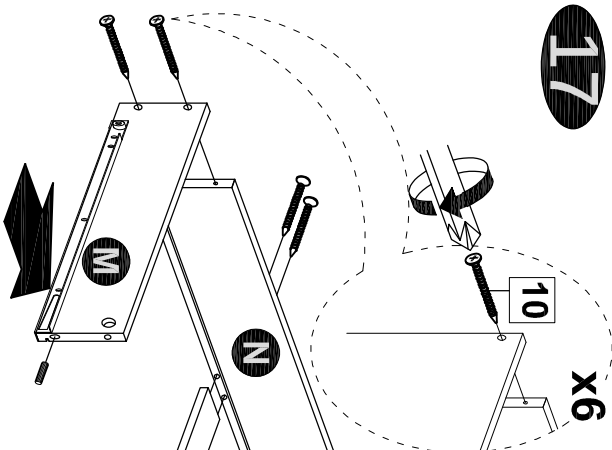
15



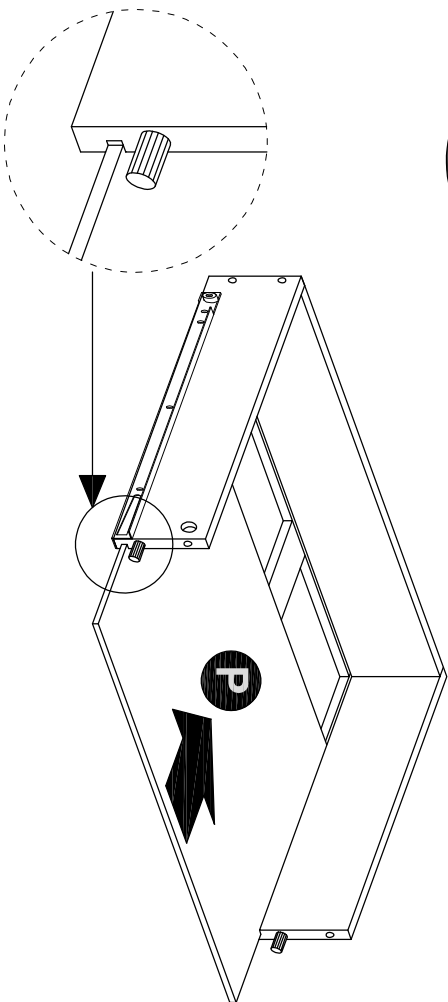
16



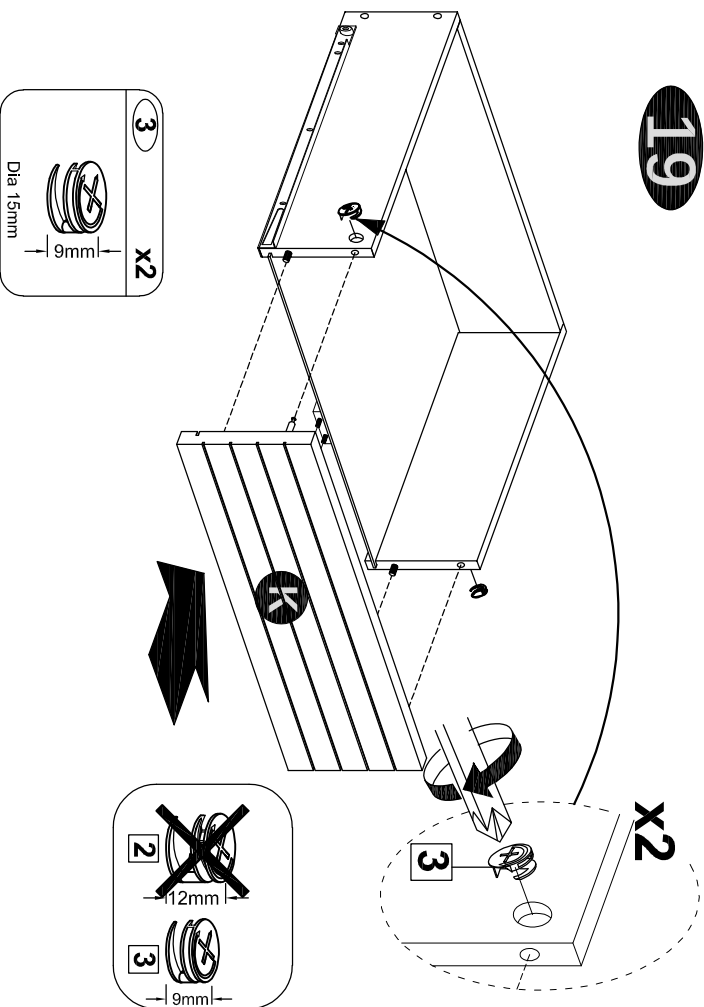
17



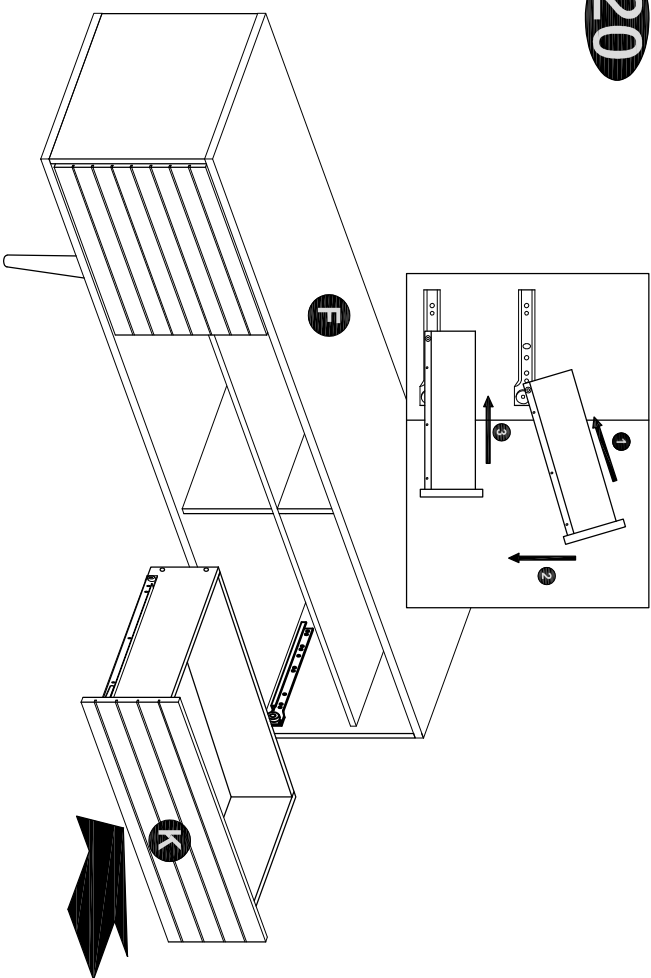
18



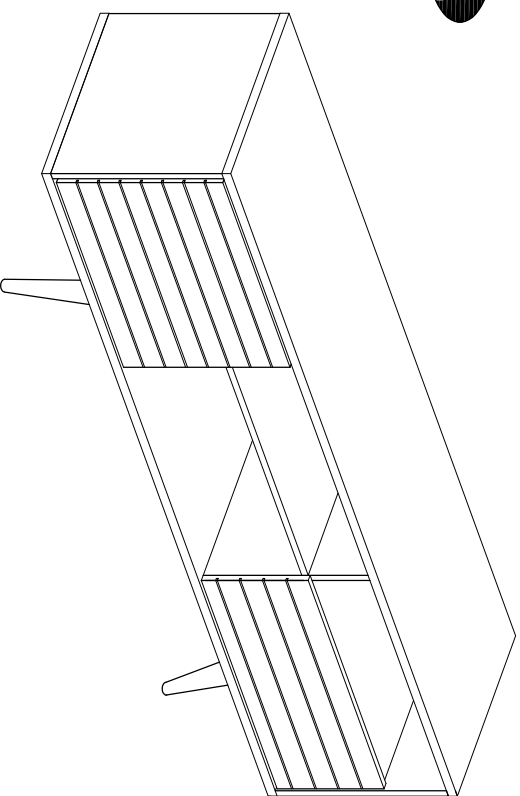
19



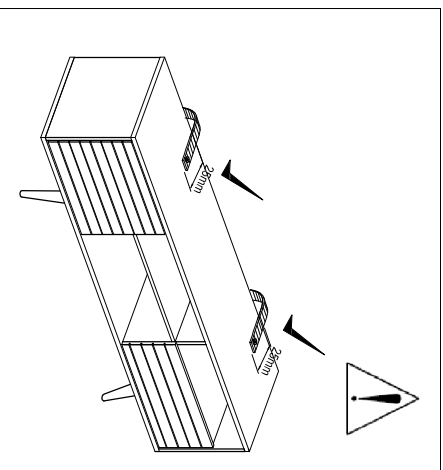
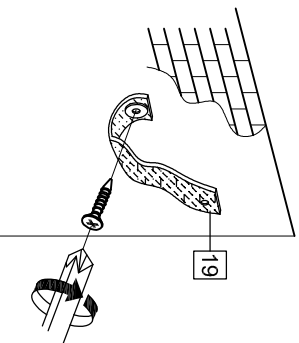
20



21



FITTING OF ANTI-TIP BRACKET



HARDWARE LIST

Anti-Tip Strap - 2pcs



M3.5 x 16MM - 2pcs

NOTE : Wall fixings are not supplied with this product as different wall materials require different types of fixing devices (such as Rawl plugs on brick work). You must use fixing devices suitable for the type of wall you intend to mount this product to. Please ensure that the head of any screw used has a diameter greater than the diameter of the mounting hole on the bracket and that the fixing is safe and secure before use.
The screw supplied is to fix the anti-tip strap to the cabinet.

19

X2



ANTI TIP STRAP

Further advice about wood furniture care

It is best to keep your furniture in a climate-controlled environment. Extreme temperature and humidity changes can cause fading, warping, shrinking and splitting of wood.

It is advised to keep furniture away from direct sunlight as sun may damage the finish.

Proper care and cleaning at home will extend the life of your purchase.

Following these important and helpful tips will enhance your furniture as it ages.