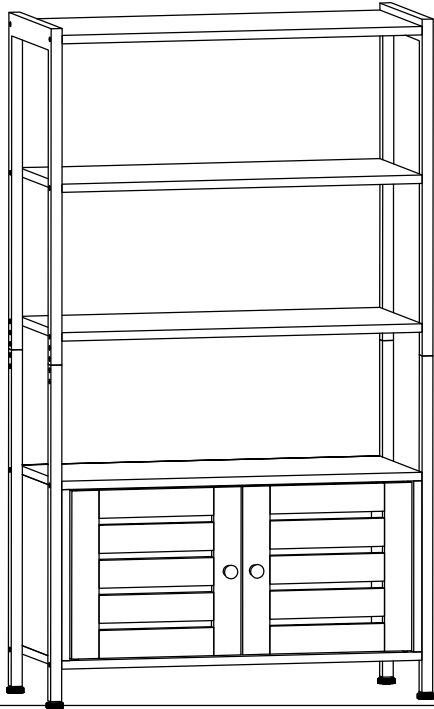


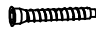



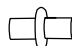


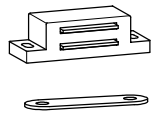

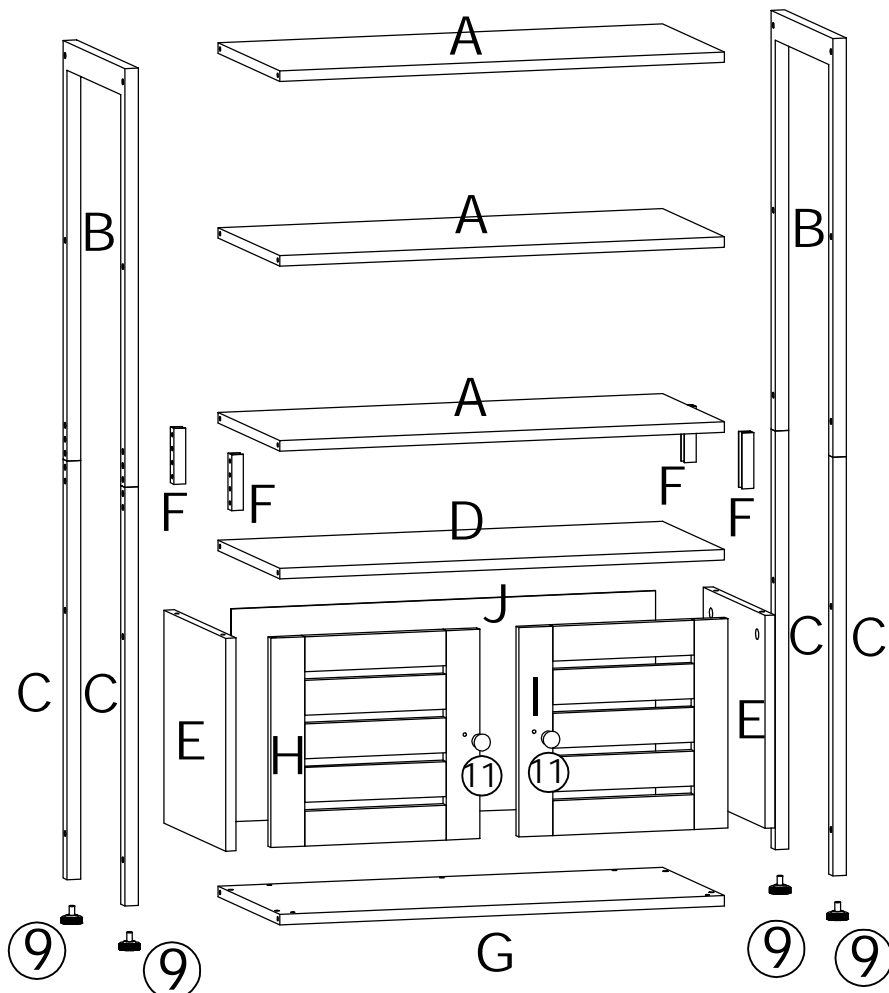


COSTWAY

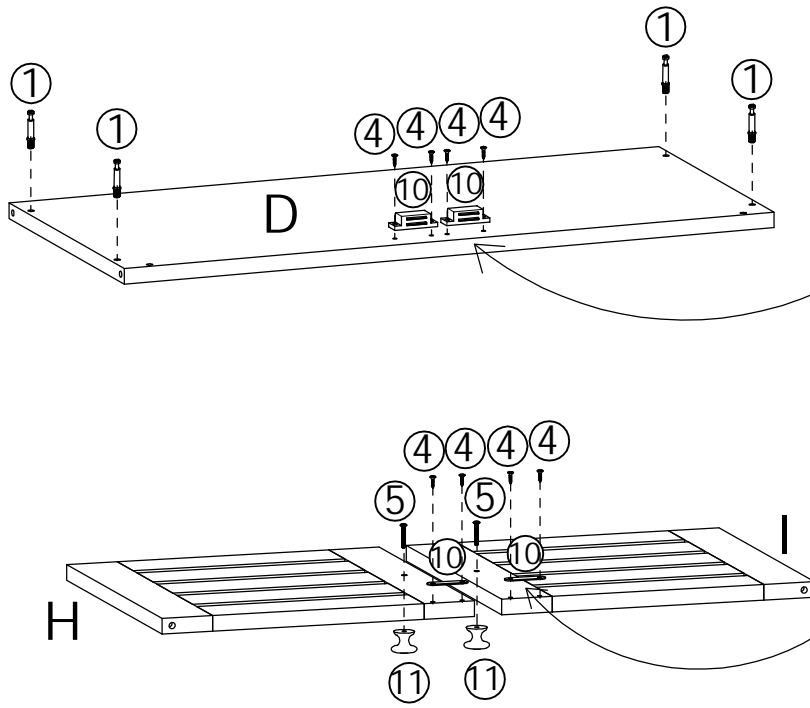
HW63852



①	 X4	②	 M6X12X16
③	 M7X50X4	④	 M4X14X8
⑤	 M4X18X2	⑥	 M5X55X20
⑦	 X4	⑧	 X12
⑨	 M6X4	⑩	 X2
⑪	 X2		

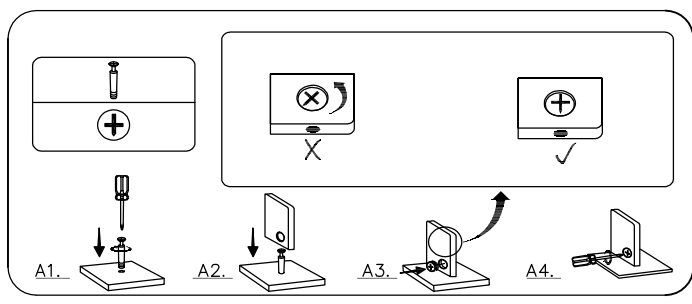
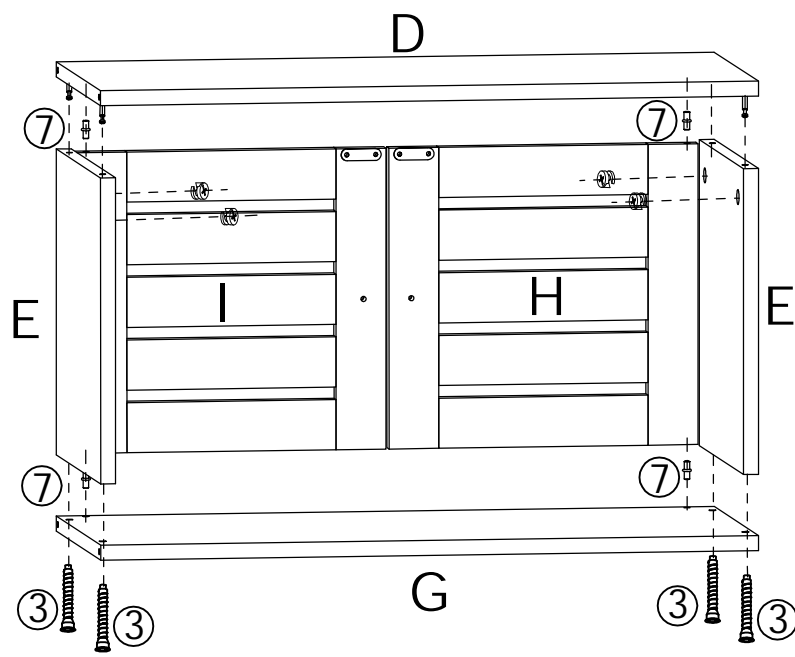


Step 1



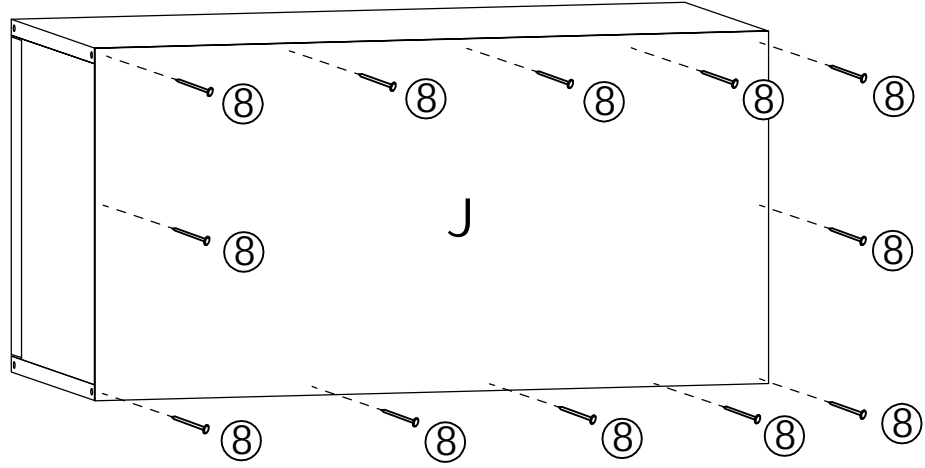
- ① x4
- ④ x8
- ⑤ x2
- ⑩ x2
- ⑪ x2

Step 2



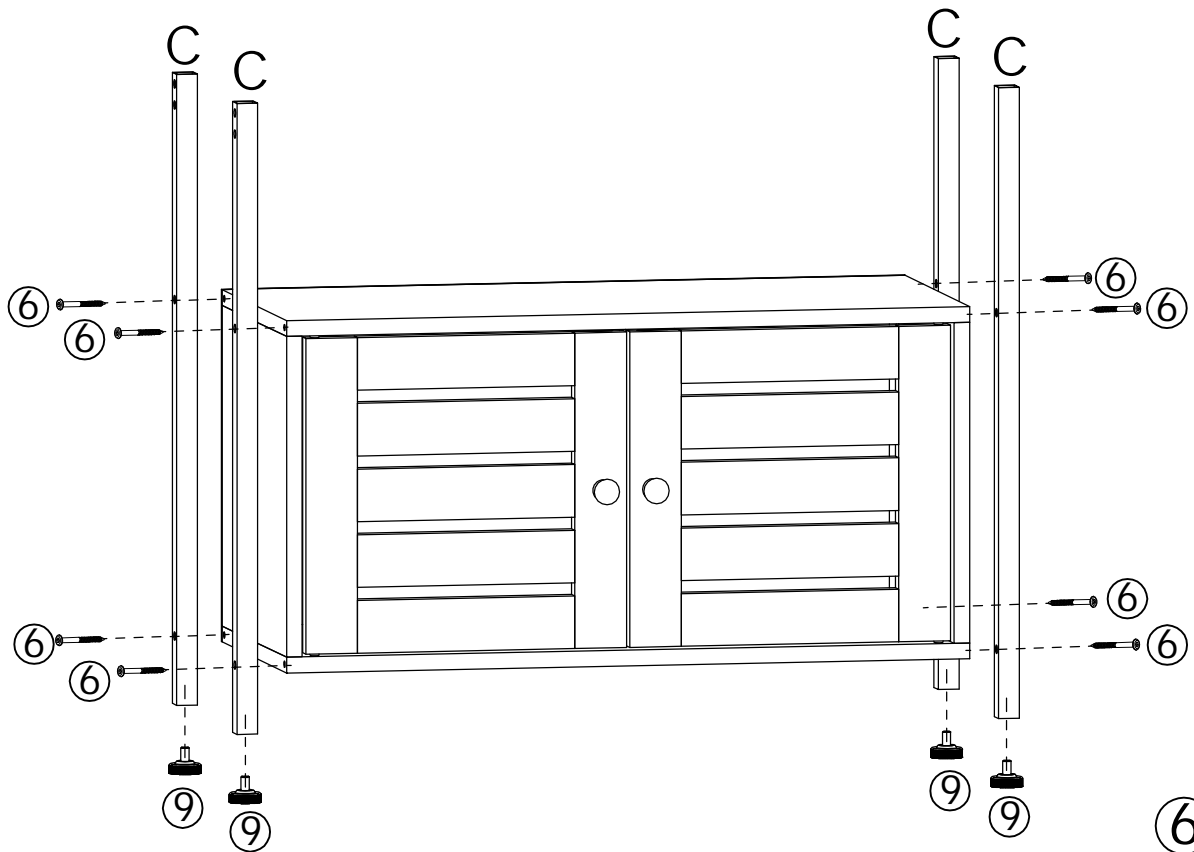
- ③ x4
- ⑦ x4

Step 3



⑧x12

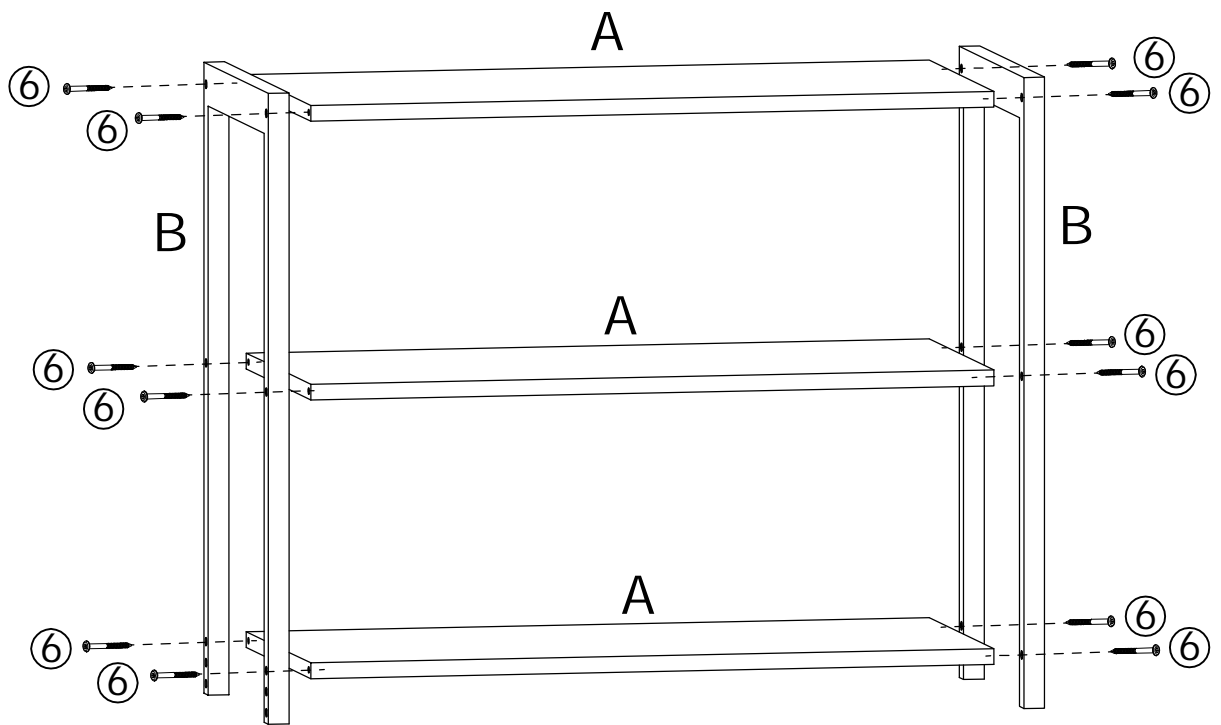
Step 4



⑥x8

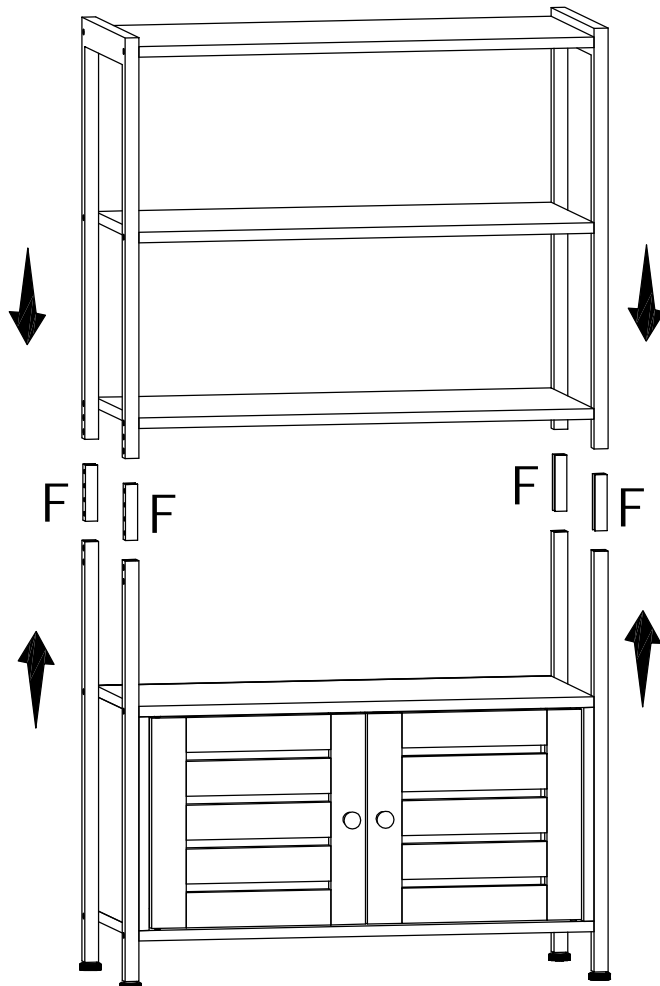
⑨x4

Step 5

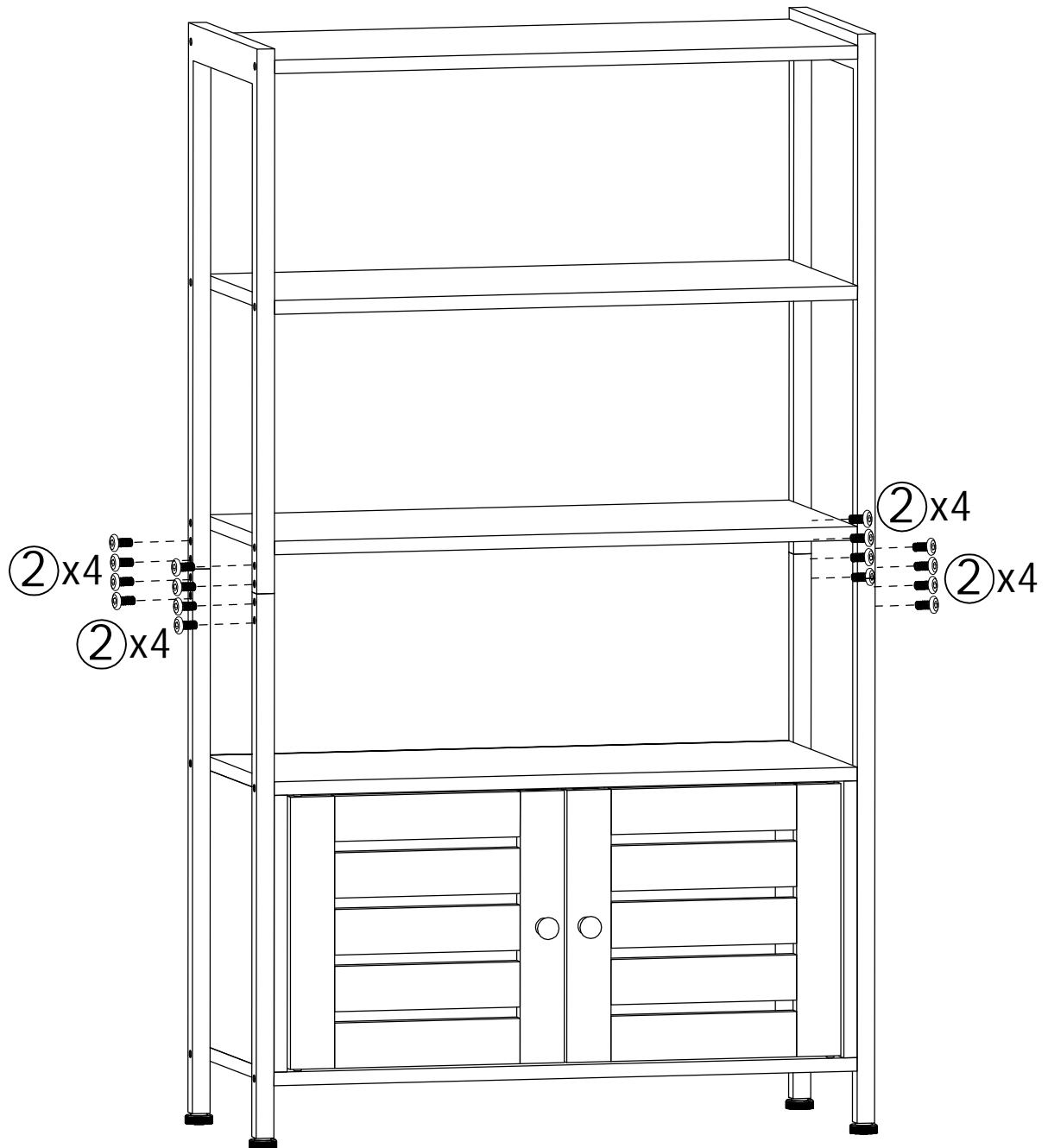


⑥x12

Step 6



Step 7



$(2) \times 16$