

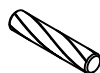
X2



Ax 42



Bx 42



Cx 8



6x30mm
Dx 4



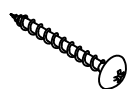
6x34mm
Ex 16



6x12mm
Fx 8



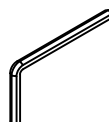
6x20mm
Gx 8



5x40mm
Hx 8

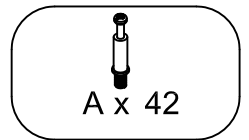
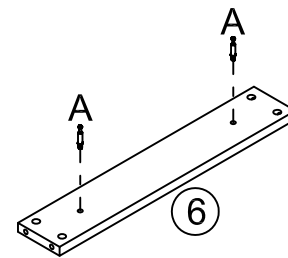
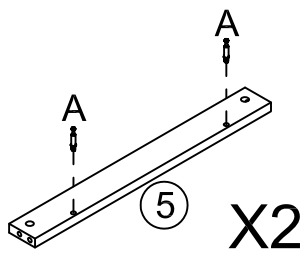
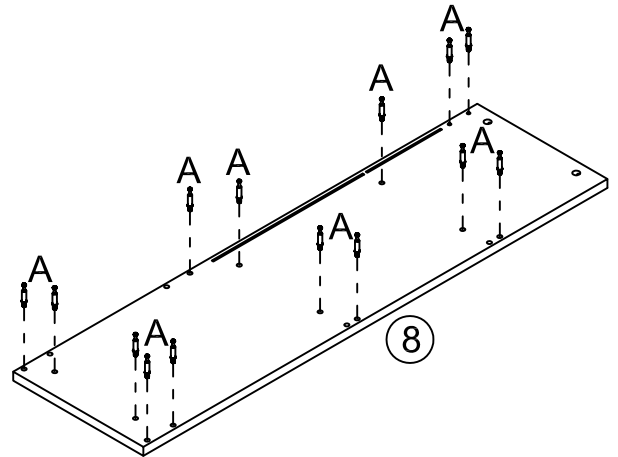
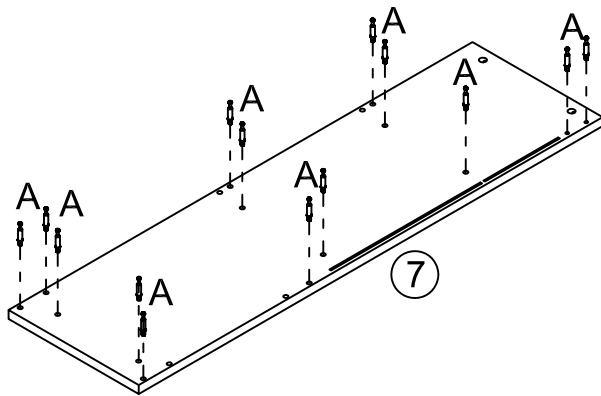
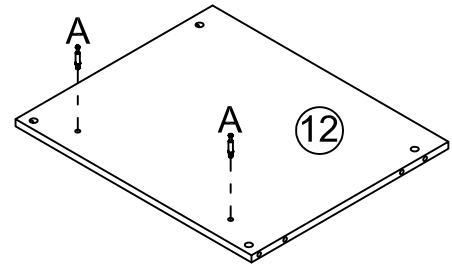
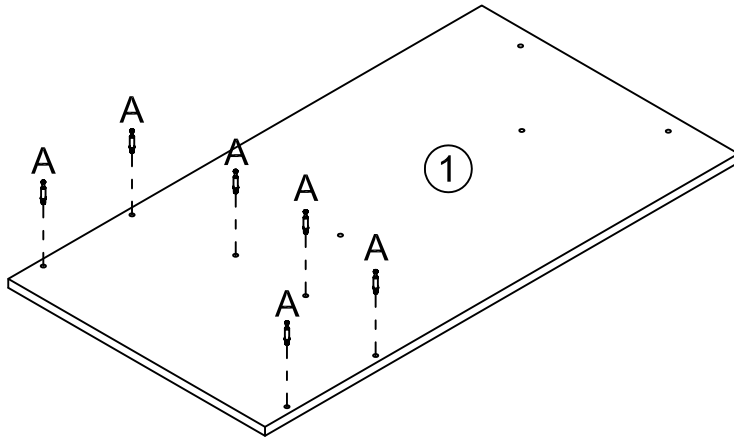


Ix 8

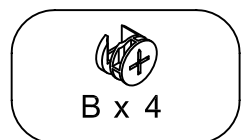
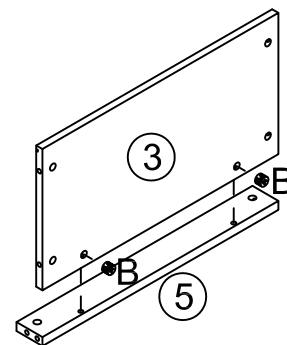
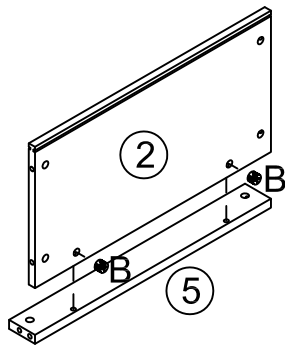


Jx 1

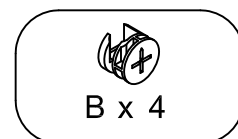
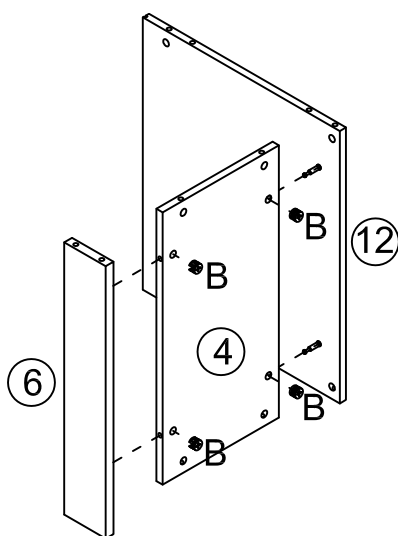
Step 1



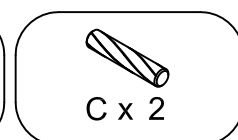
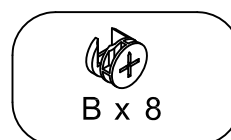
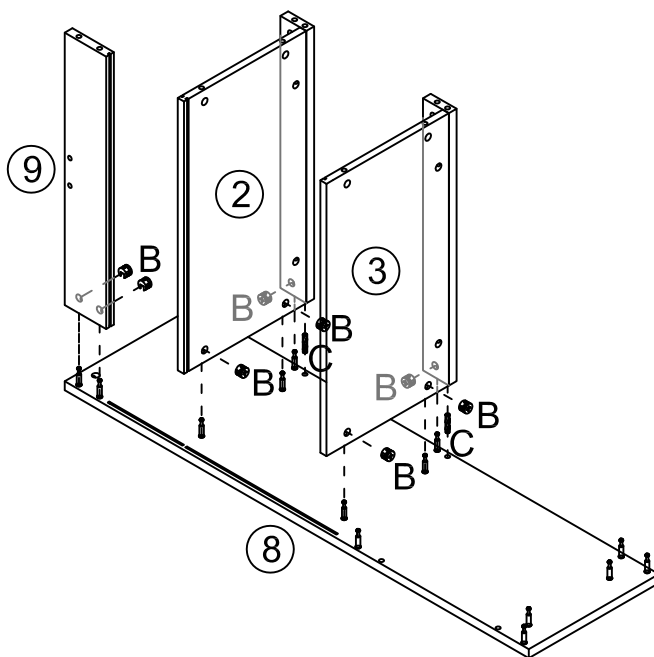
Step 2



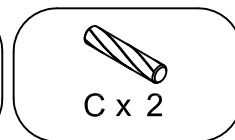
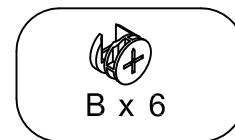
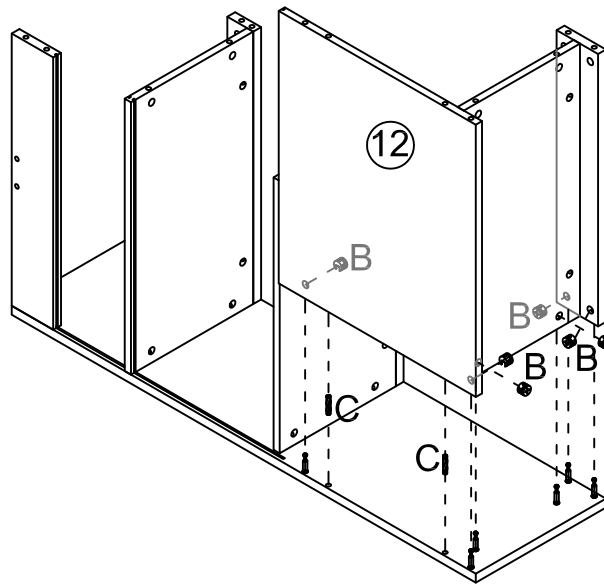
Step 3



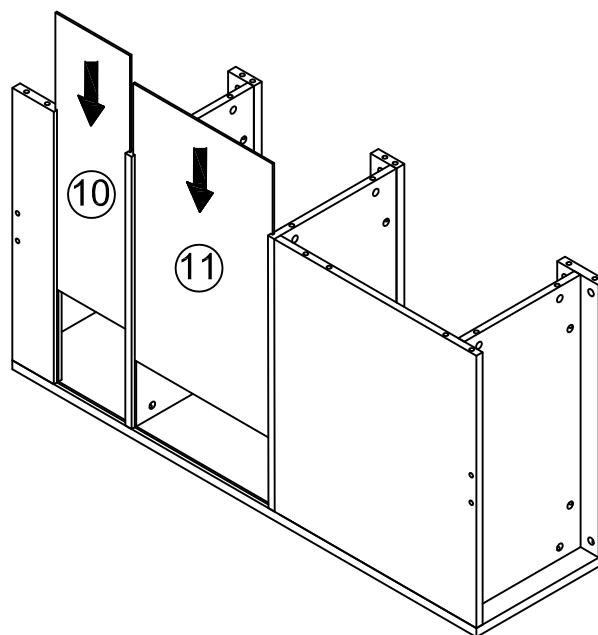
Step 4



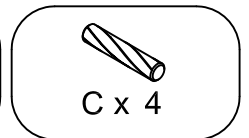
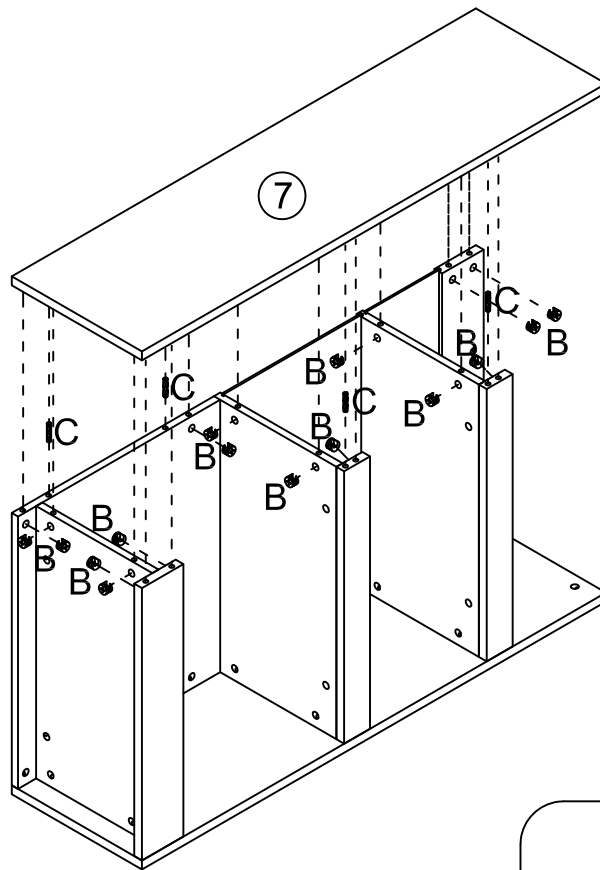
Step 5



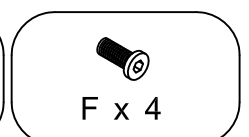
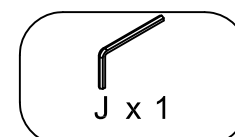
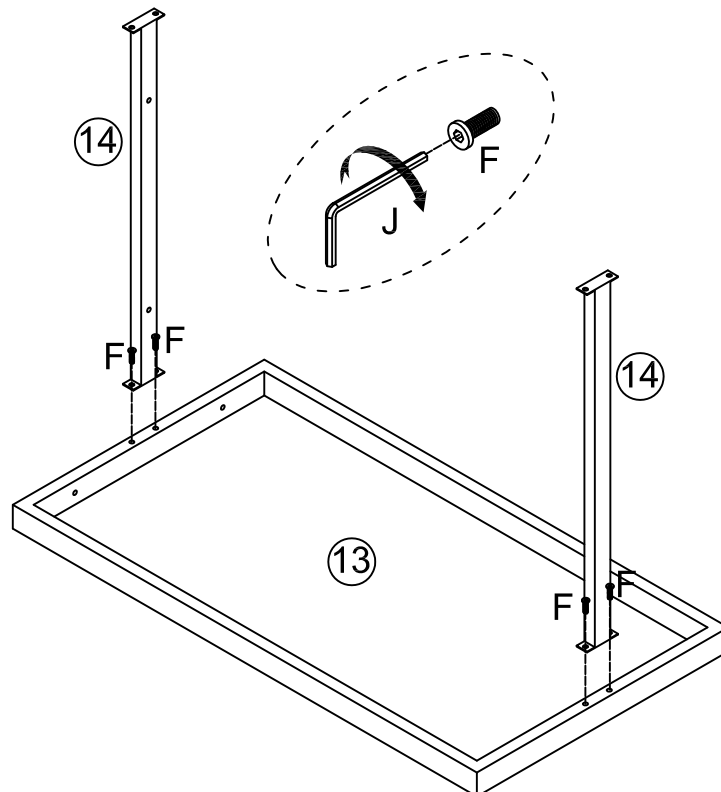
Step 6



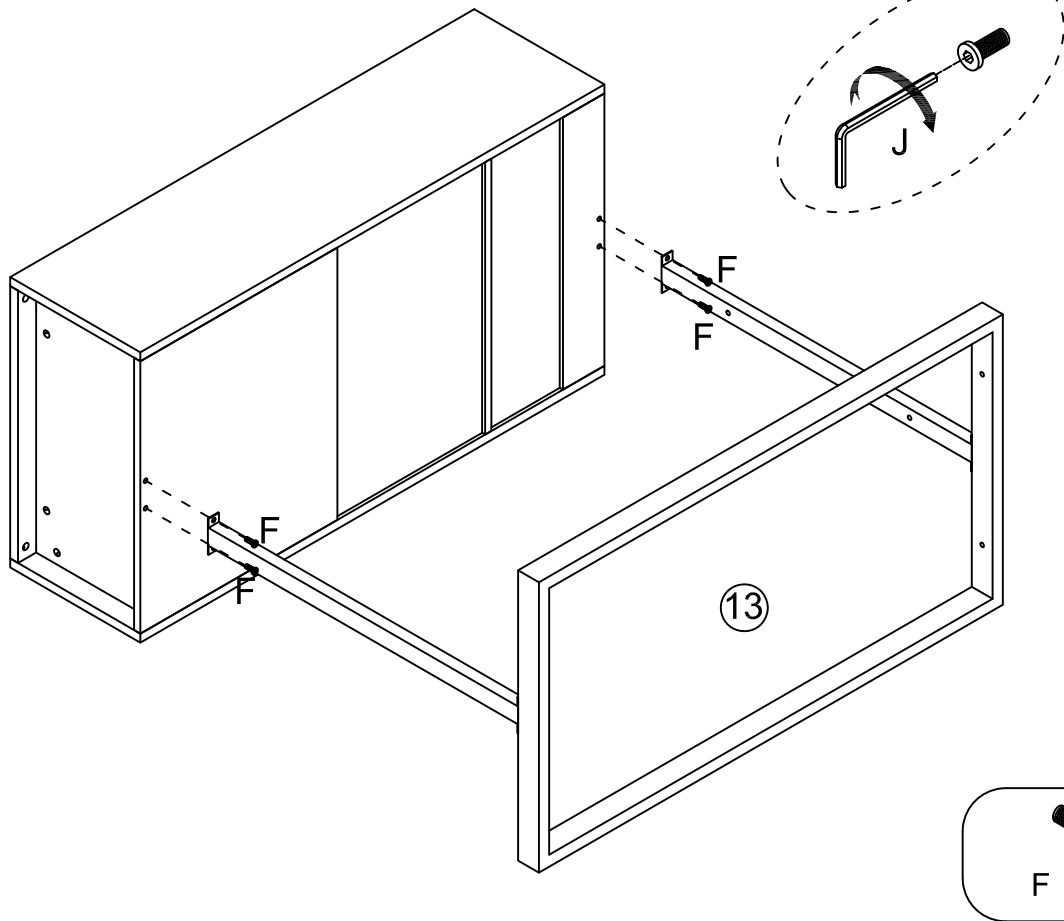
Step 7



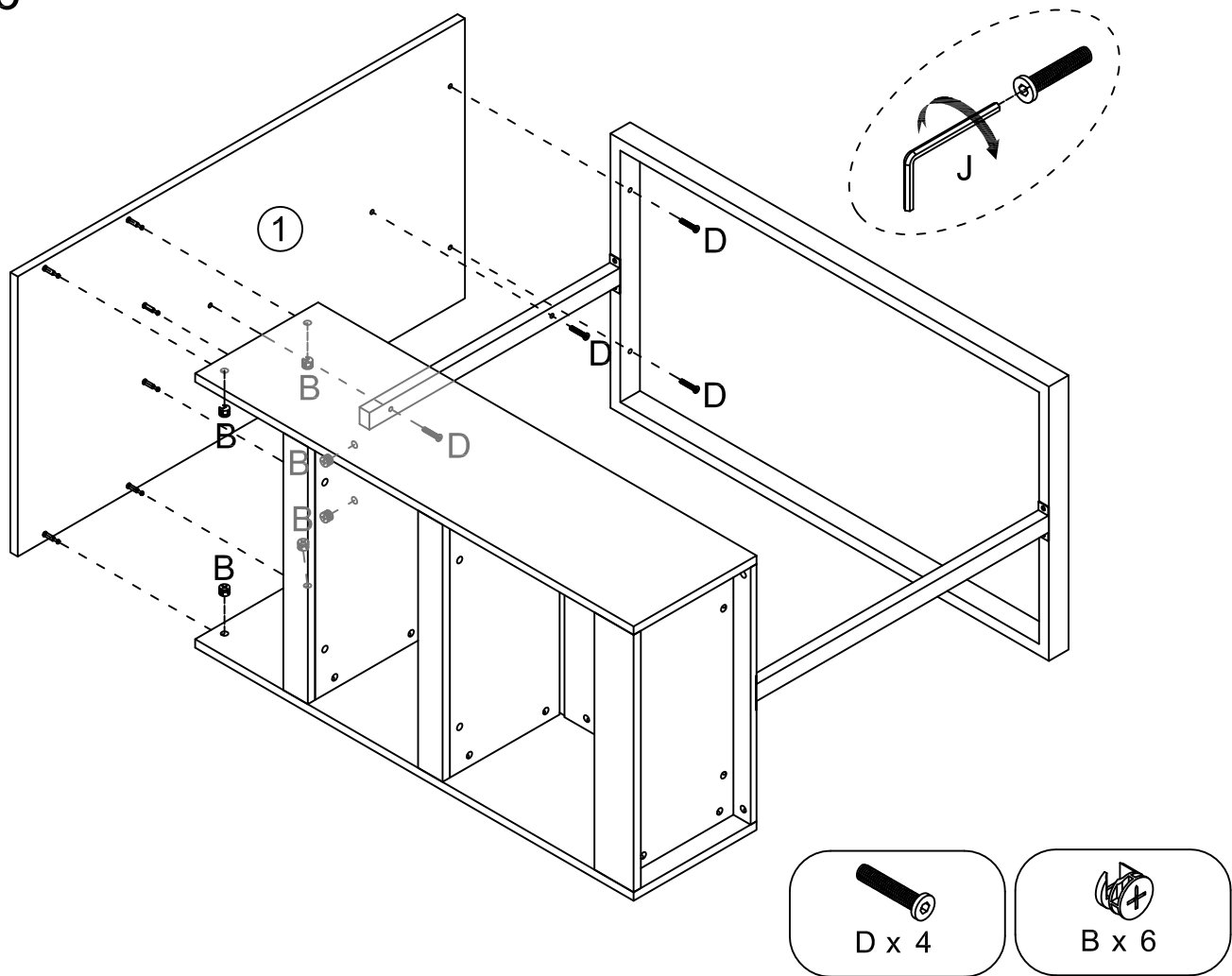
Step 8



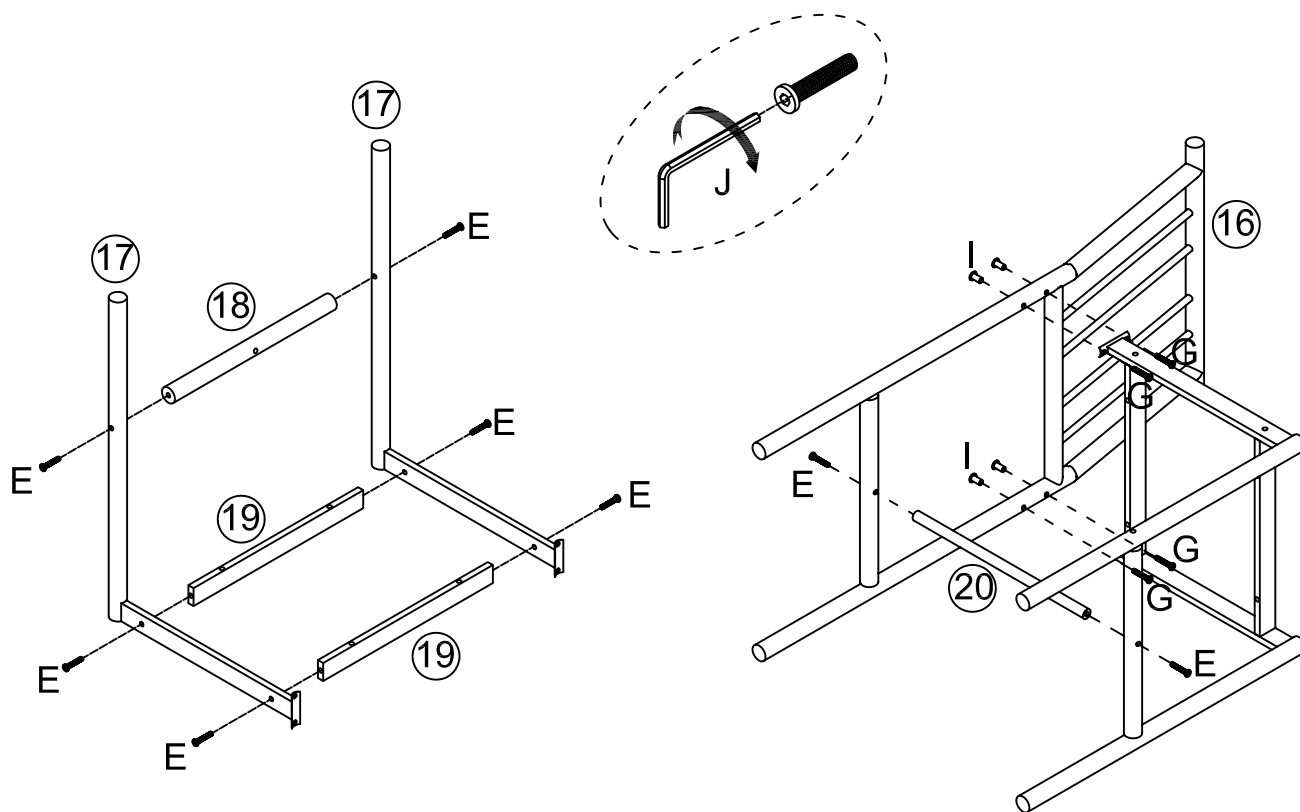
Step 9



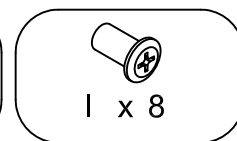
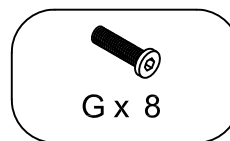
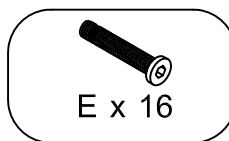
Step 10



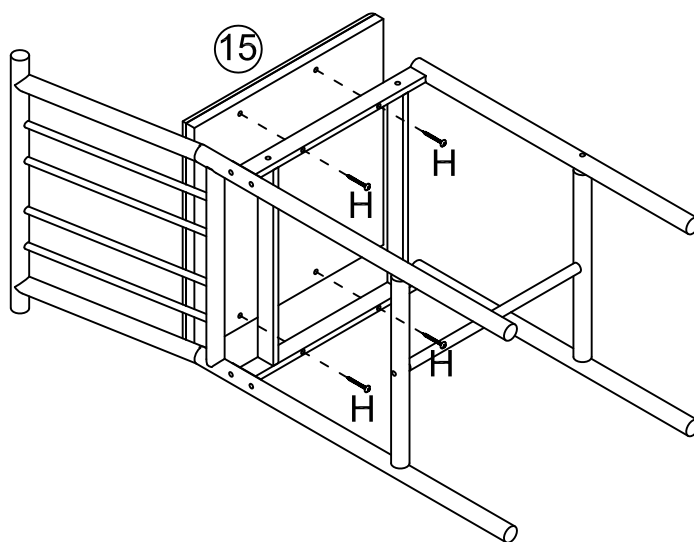
Step 11



X2



Step 12



X2

