





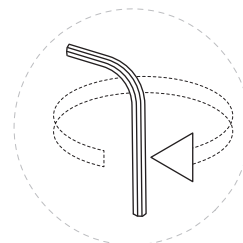
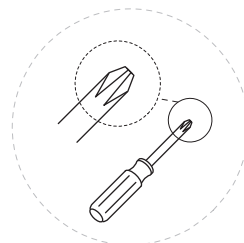
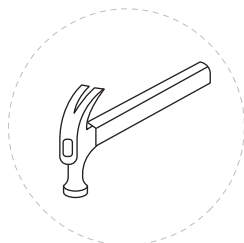
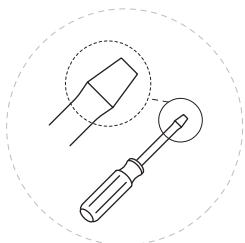
USER'S MANUAL

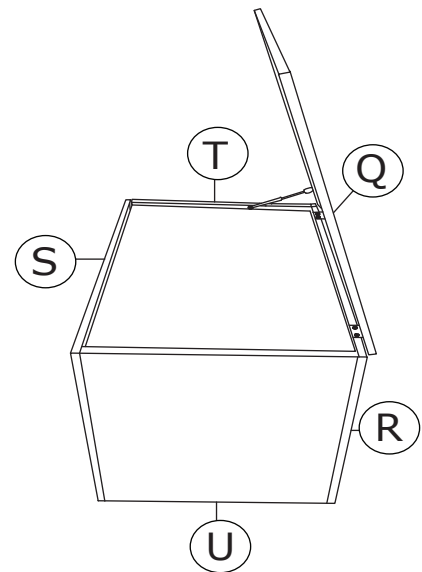
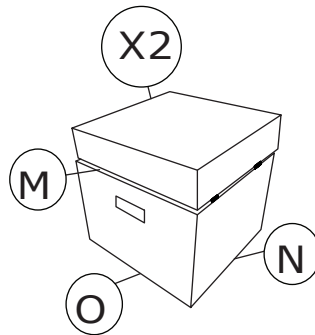
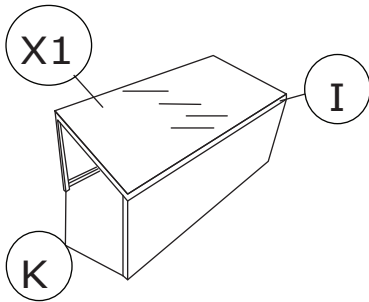
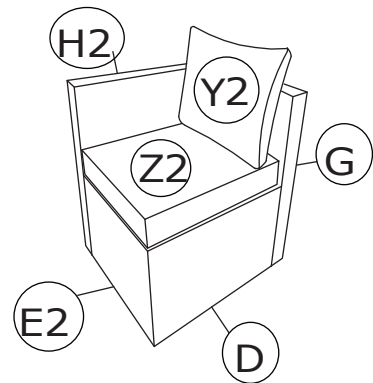
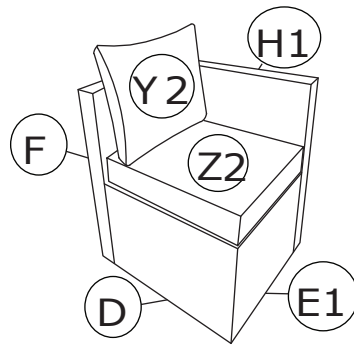
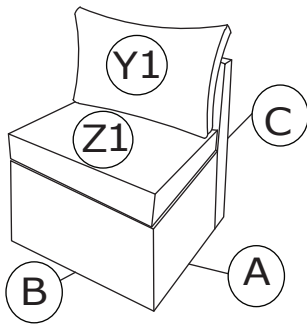
8 PIECE RATTAN SOFA SET HW68604



Before You Start

-  Read each step carefully before starting. It is very important to ensure each step followed in correct order, otherwise assembly difficulties may occur.
-  Most of board parts are labeled or stamped on the raw edges. Have a check to make sure all parts are included.
-  Work in a spacious area, preferably on a carpet close to where the unit will be used.
-  Keep the handtools close at hand. Do not use power tools to assemble your furniture. They may scratch or damage the parts.



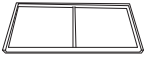


Notice

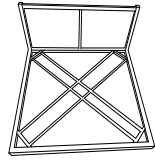
- 50% Tighten before fixing all screws, Allen wrench is recommended instead of an electric drill.
- Place the item on a flat ground to adjust and make sure it remains stable.
- Tighten up all screws with tools gradually.
- If the screws are not aligned with holes during assembly, please loosen all the other screws to 50% and continue the assembly process.
- If the item is not stable, please loosen all the screws, adjust it on a flat ground and tighten up all screws again.
- Note: If one or some screws are fully tightened during assembly, chances are the others will not be aligned with holes. In addition, all the holes are designed to be relatively larger to provide more space for the adjustment of the screws.

Part List

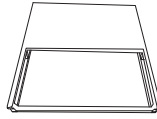
(A) 4 pcs



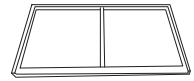
(B) 2 pcs



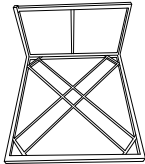
(C) 2 pcs



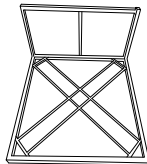
(D) 2 pcs



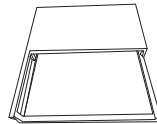
(E1) 1 pc



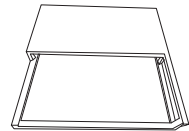
(E2) 1 pc



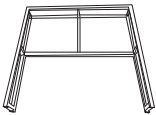
(F) 1 pc



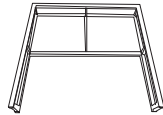
(G) 1 pc



(H1) 1 pc



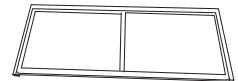
(H2) 1 pc



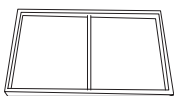
(I) 1 pc



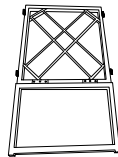
(K) 2 pcs



(L) 1 pc



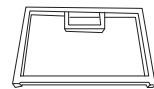
(M) 2 pcs



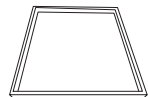
(N) 4 pcs



(O) 2 pcs



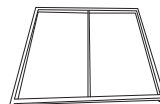
(P) 2 pcs



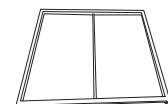
(Q) 1 pc



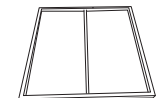
(R) 1 pc



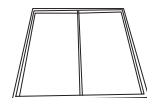
(S) 1 pc



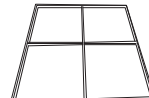
(T) 1 pc



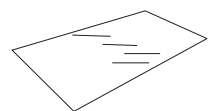
(U) 1 pc



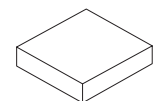
(V) 1 pc



(X1) 1 pc



(X2) 2 pcs



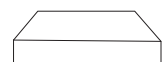
(Y1) 2 pcs



(Y2) 2 pcs



(Z1) 2 pcs



(Z2) 2 pcs







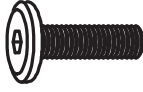




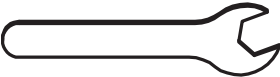

(W1) 1 pc



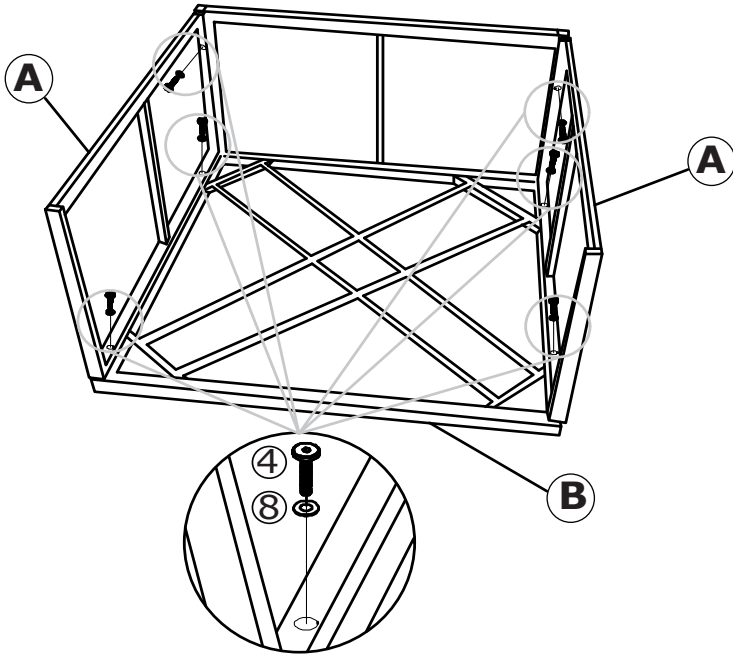
(W2) 1 pc



Hardware List

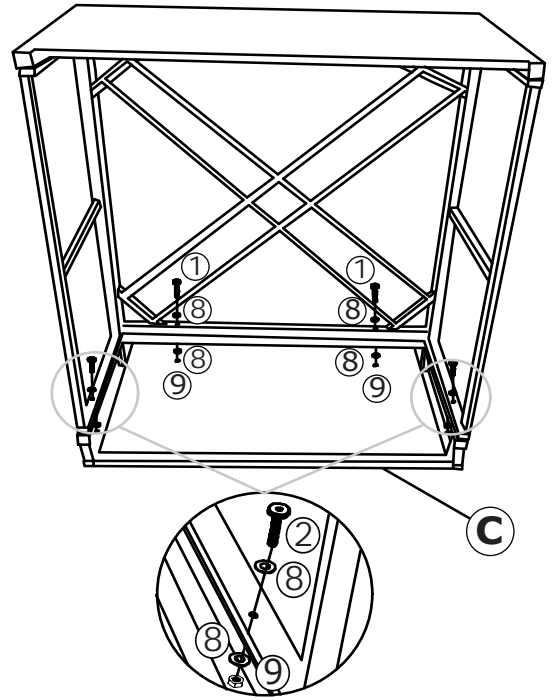
Description		Hardware	Spec	Qty
1	Bolt		M6 x 60 mm	14 pcs
2	Bolt		M6 x 45mm	8 pcs
3	Bolt		M6 x 35 mm	15 pcs
4	Bolt		M6 x 30 mm	46 pcs
5	Bolt		M6 x 25 mm	4 pcs
6	Bolt		M6 x 15 mm	4 pcs
7	Plastic washers		M6 x 8 mm	1 pc
8	Steel washers		M6	109 pcs
9	Nut		M6	22 pcs
10	Wrench		M 10	2 pcs
11	Allen key		M4	2 pcs

STEP 1



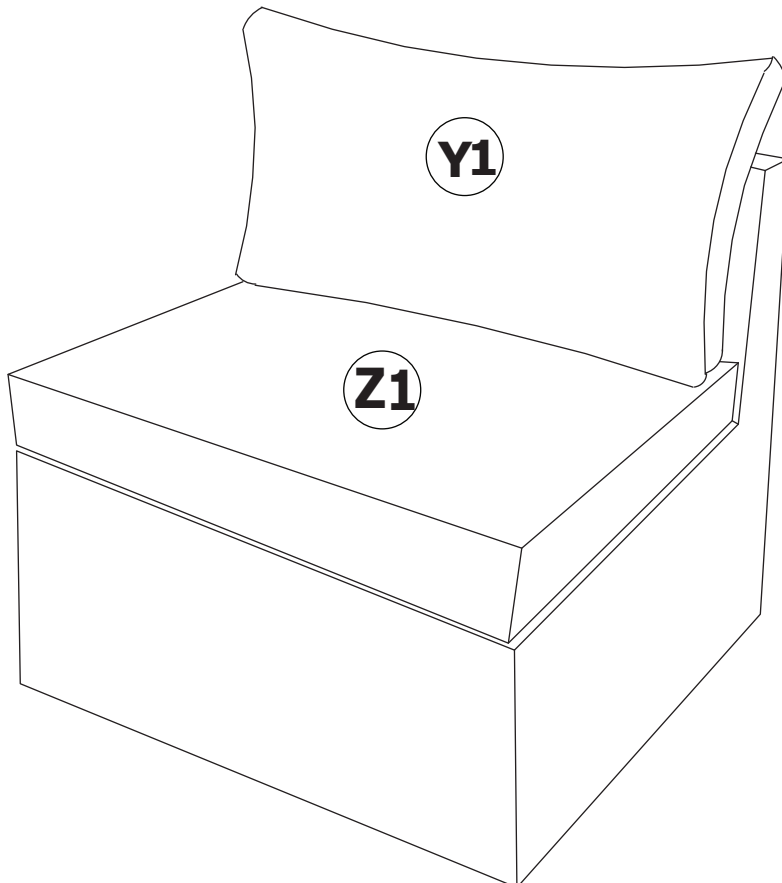
x2

STEP 2



x2

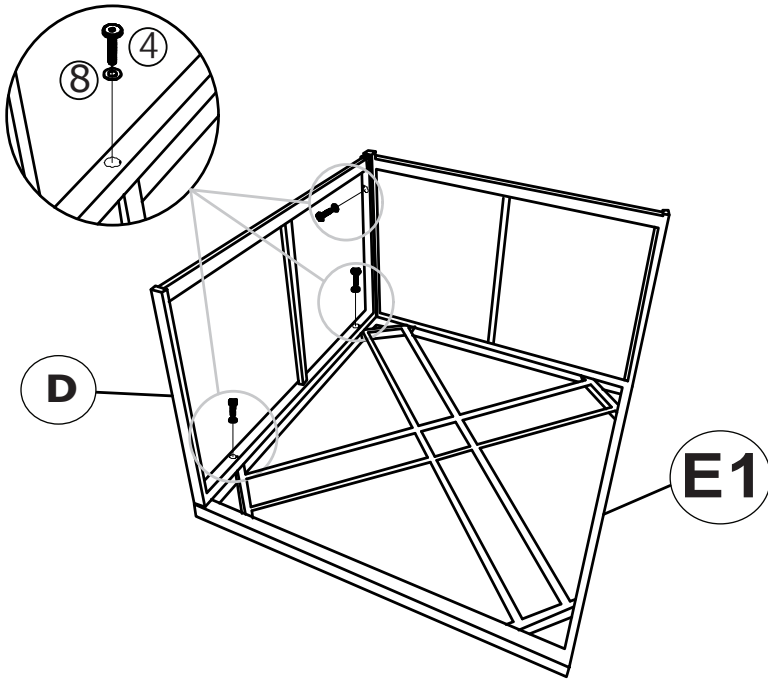
STEP 3



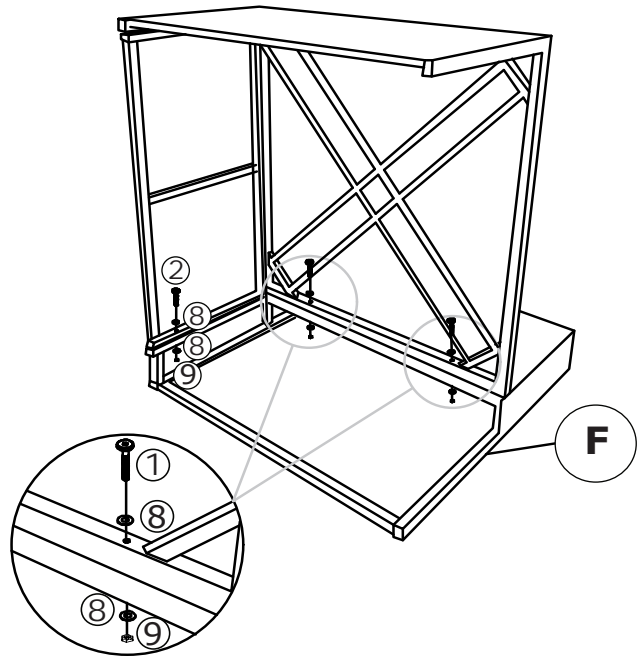
x2

Finished

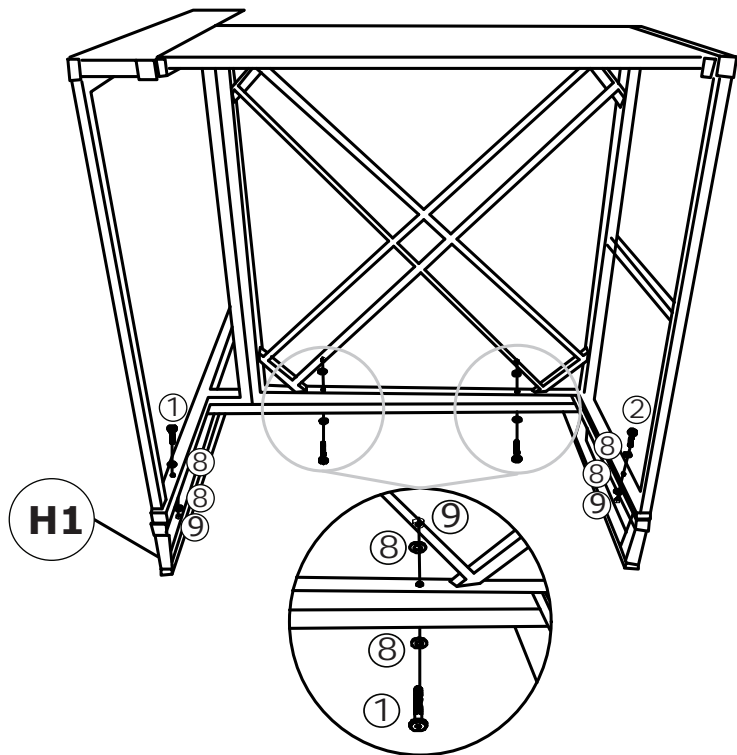
STEP 4



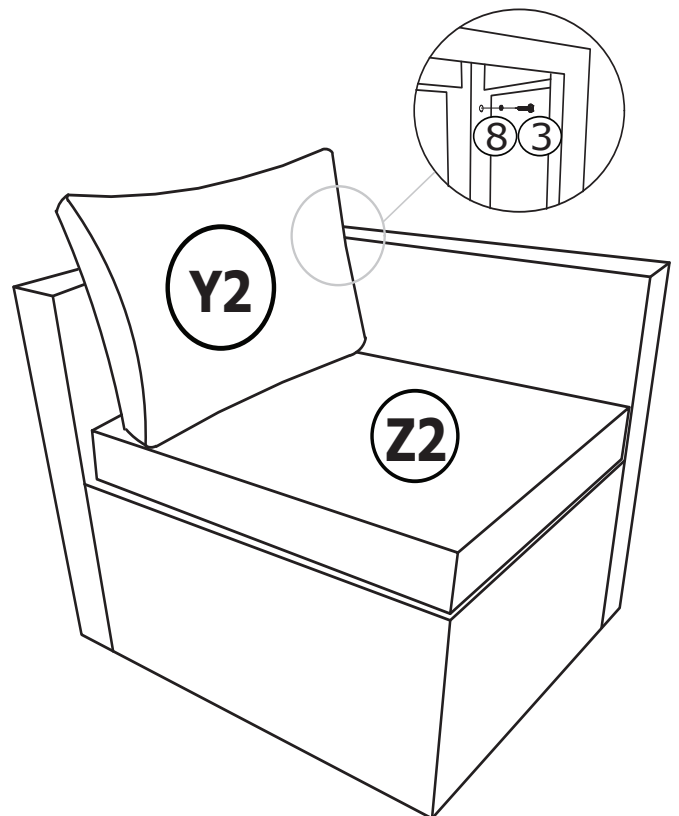
STEP 5



STEP 6

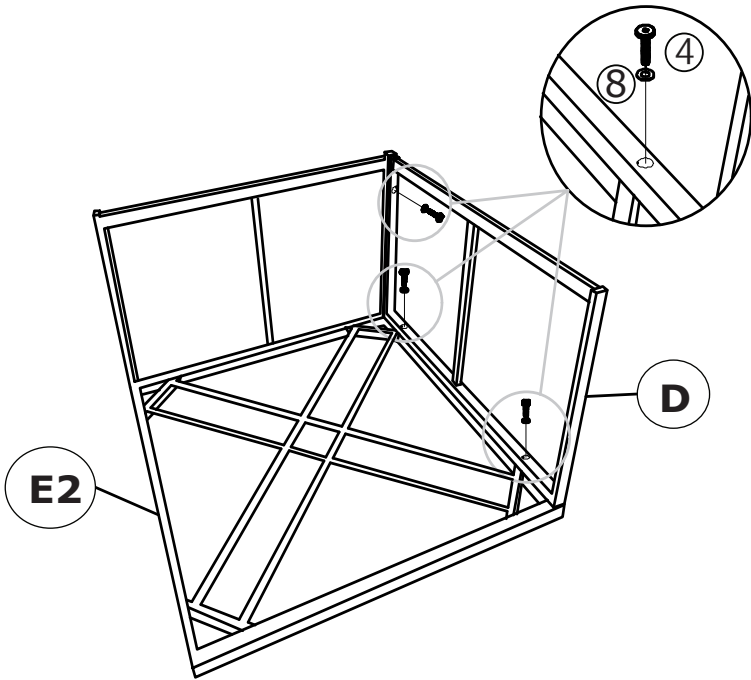


STEP 7

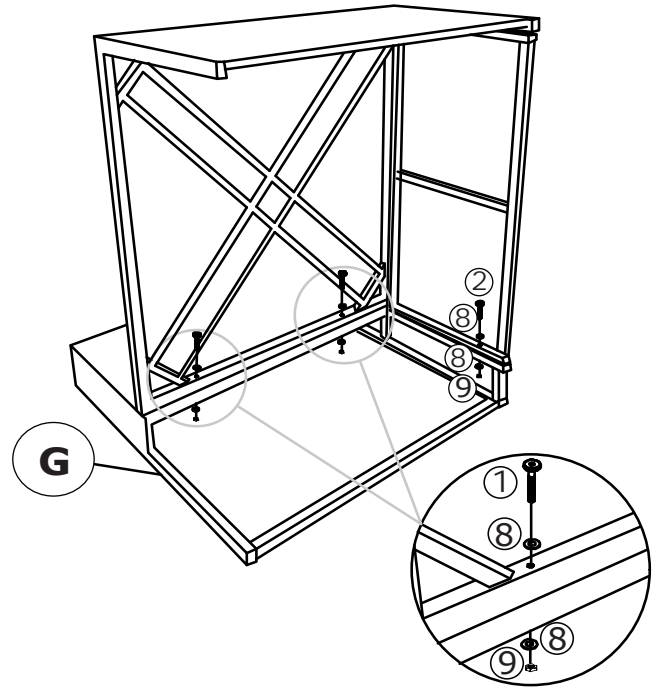


Finished

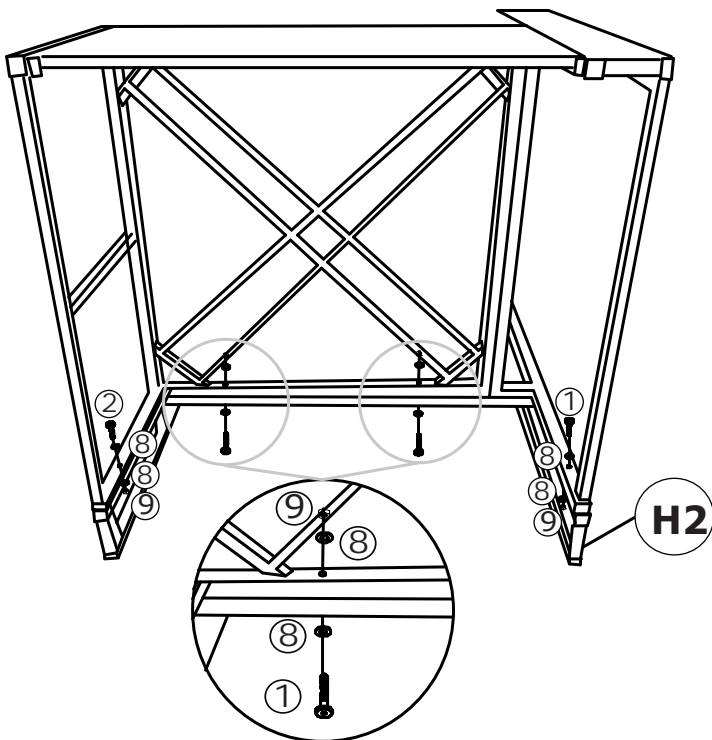
STEP 8



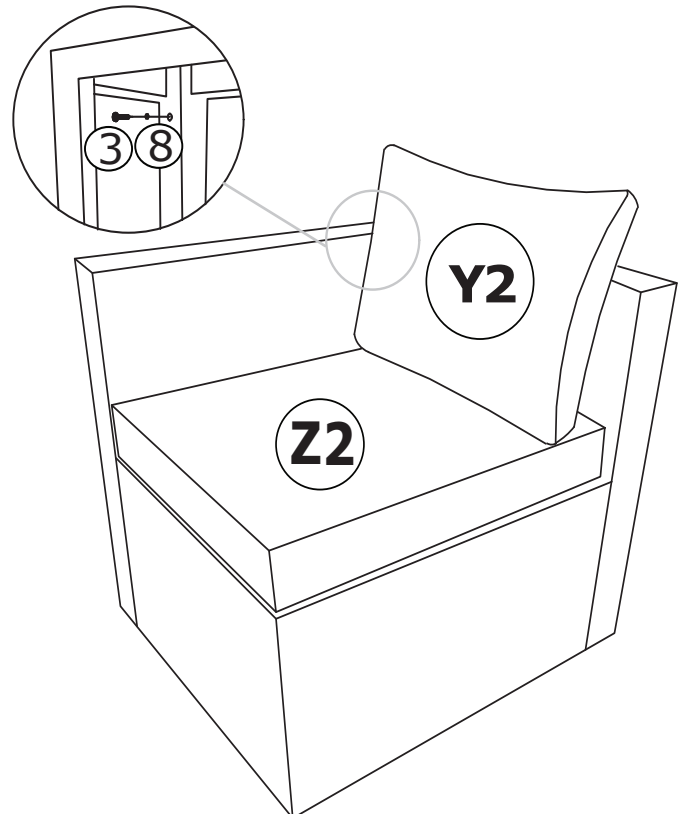
STEP 9



STEP 10

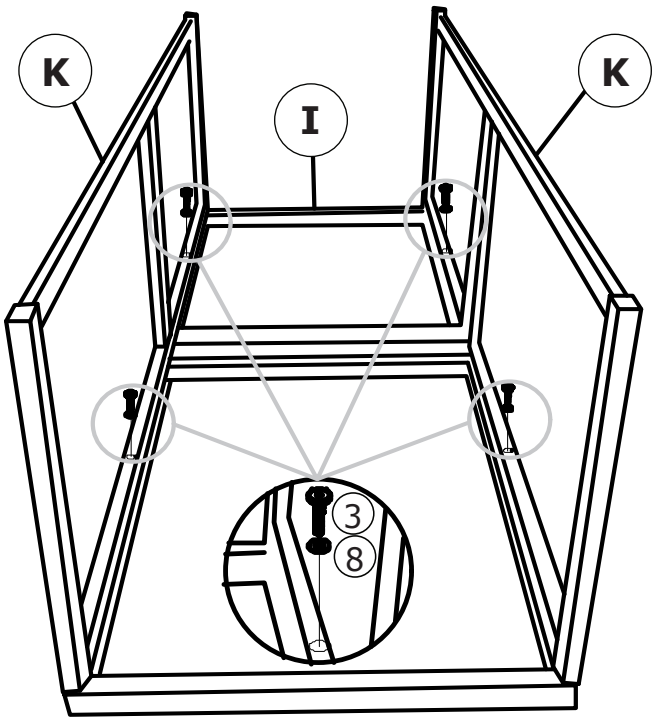


STEP 11

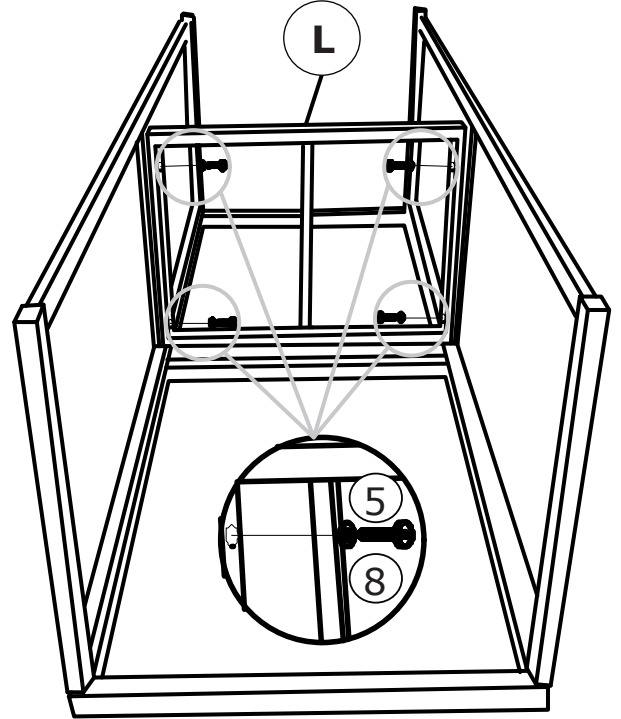


Finished

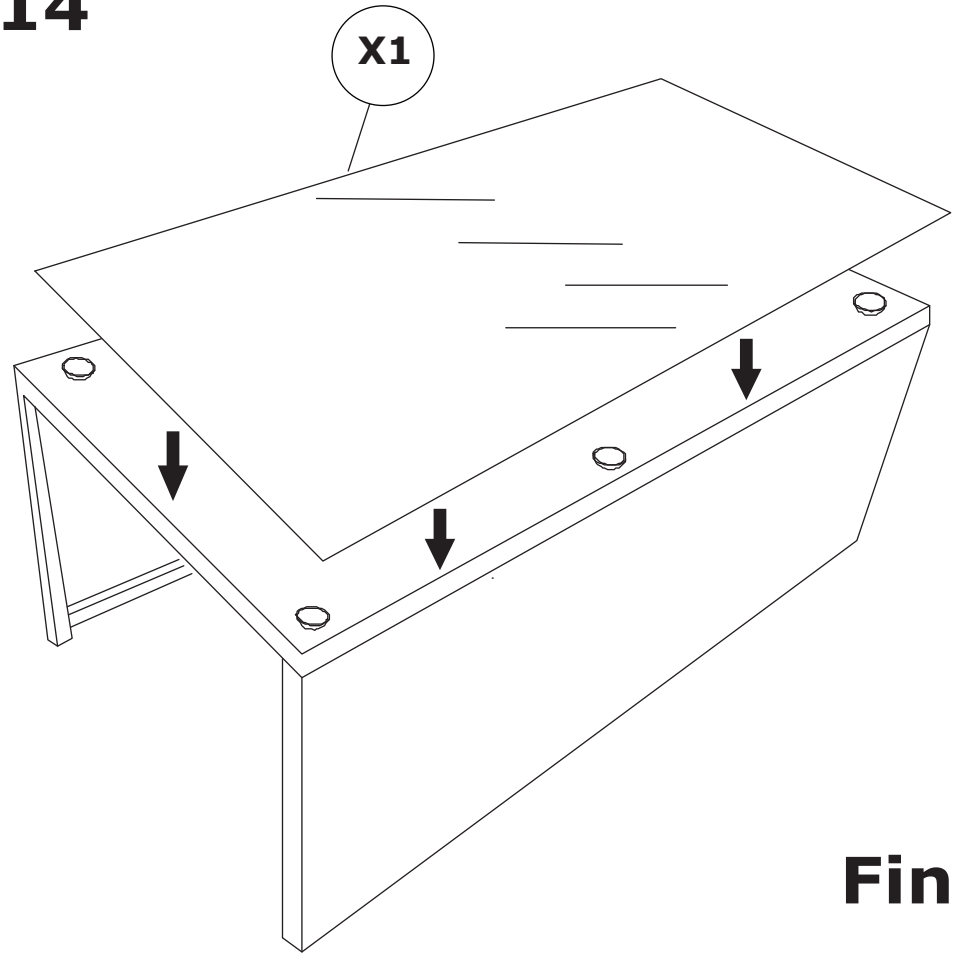
STEP 12



STEP 13



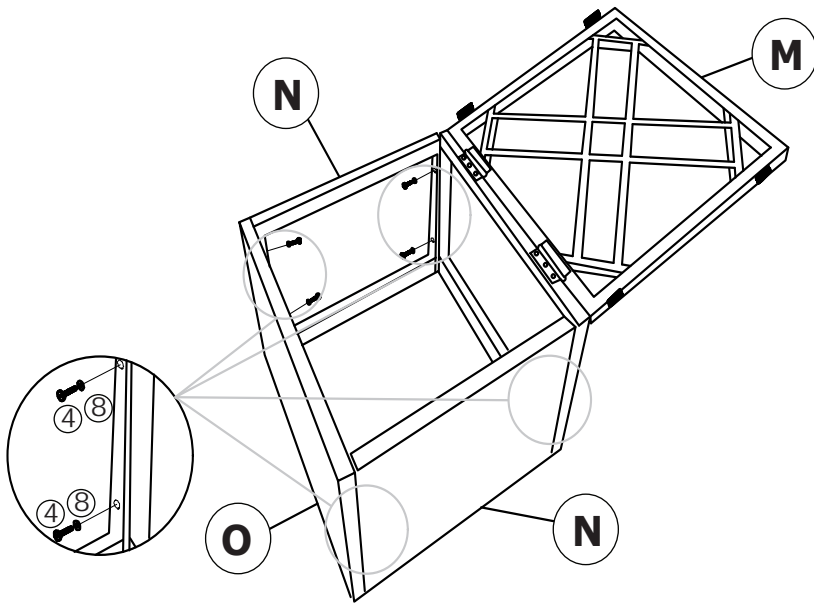
STEP 14



Finished

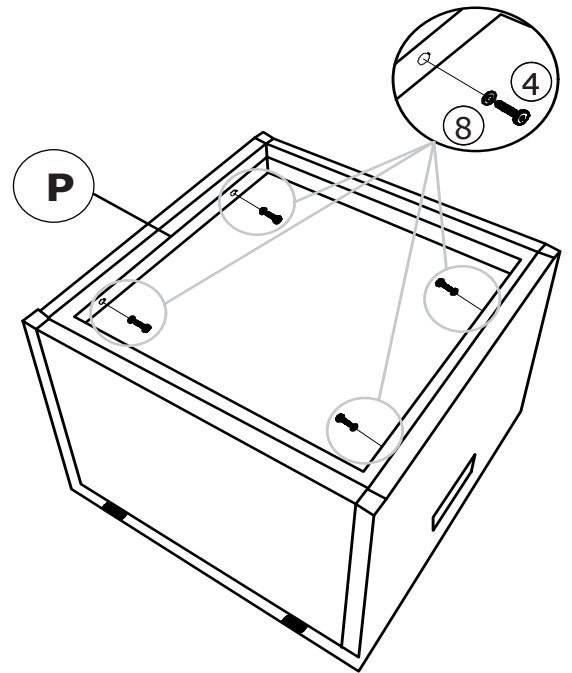
STEP 15

x2



STEP 16

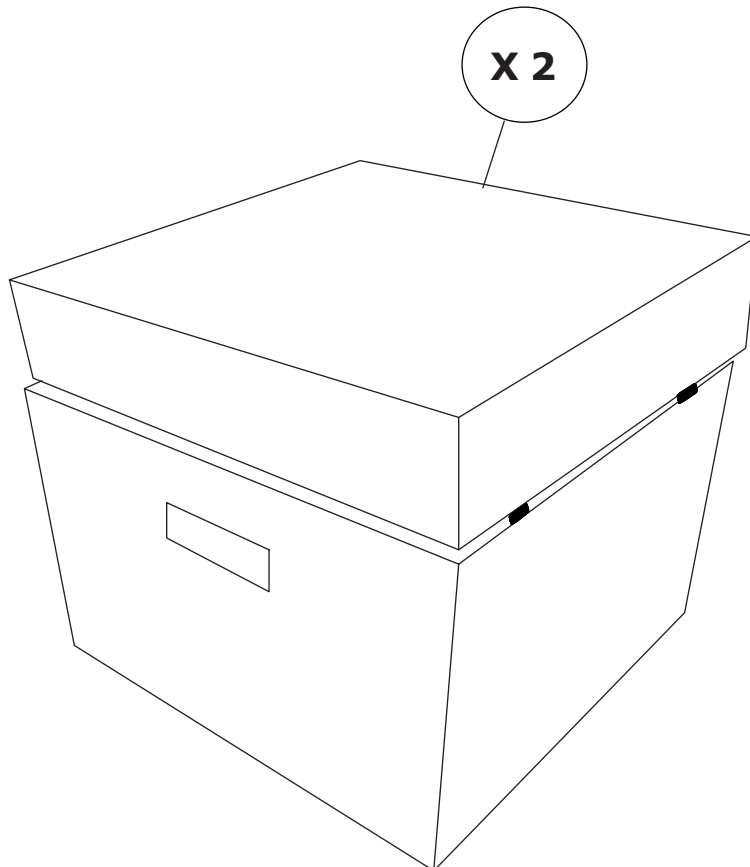
x2



STEP 17

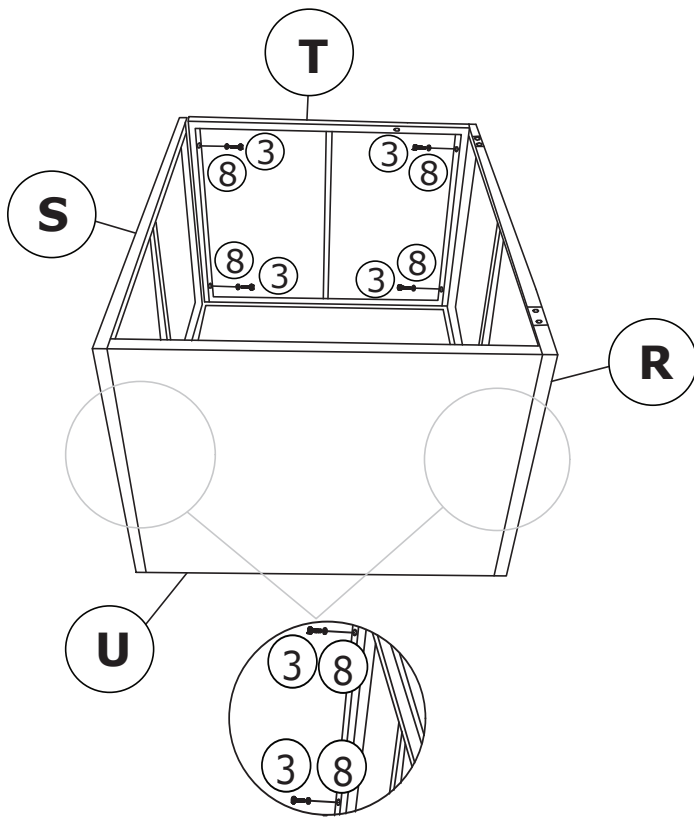
x2

x2

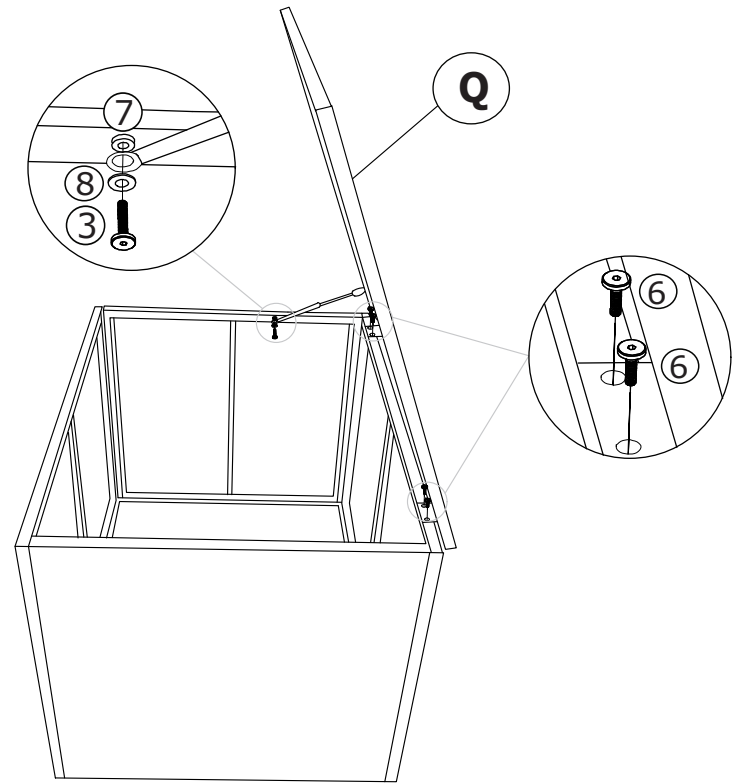


Finished

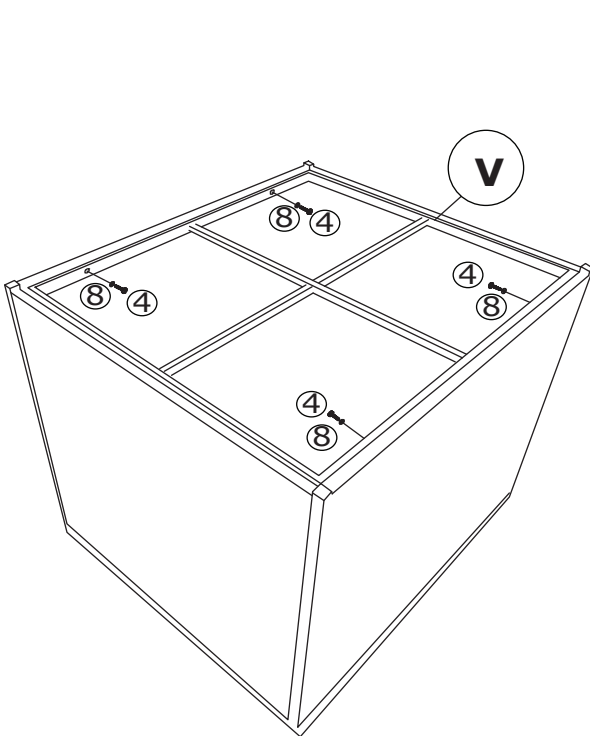
STEP 18



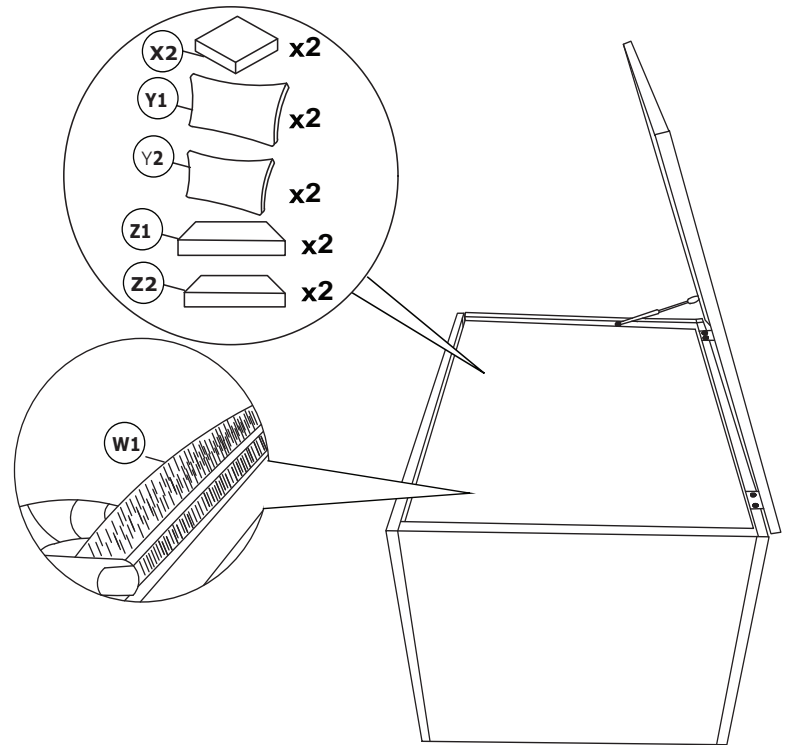
STEP 19



STEP 20



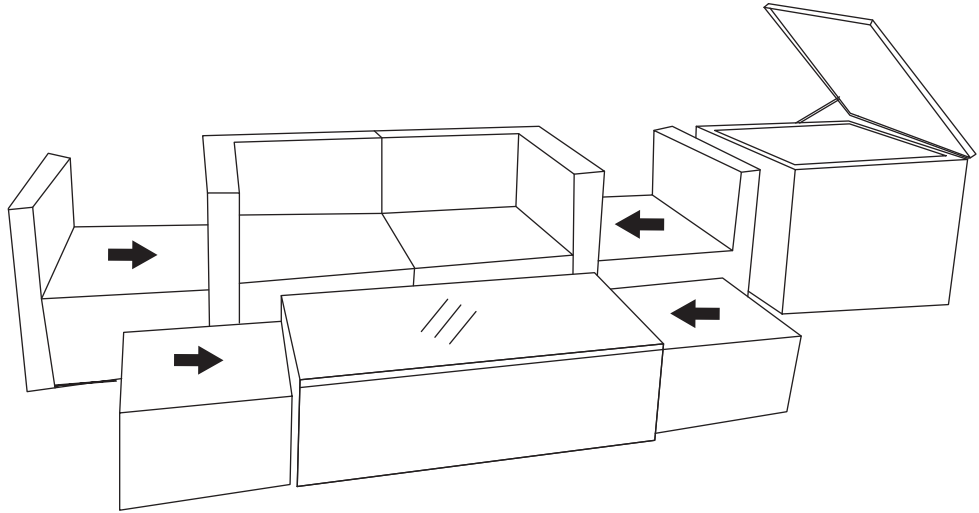
STEP 21



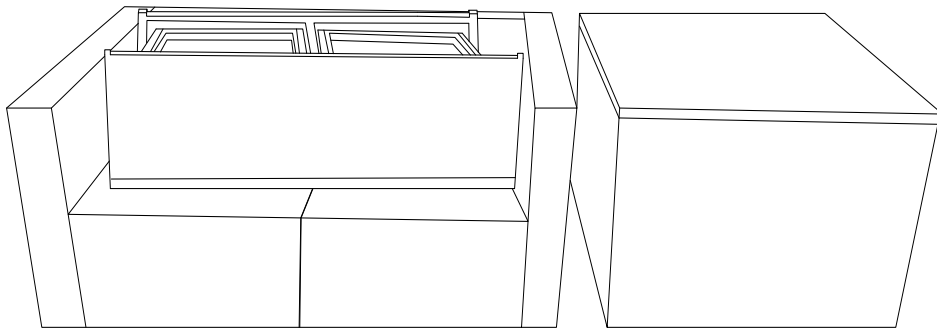
Install part W1 then arrange all cushions inside storage

Finished

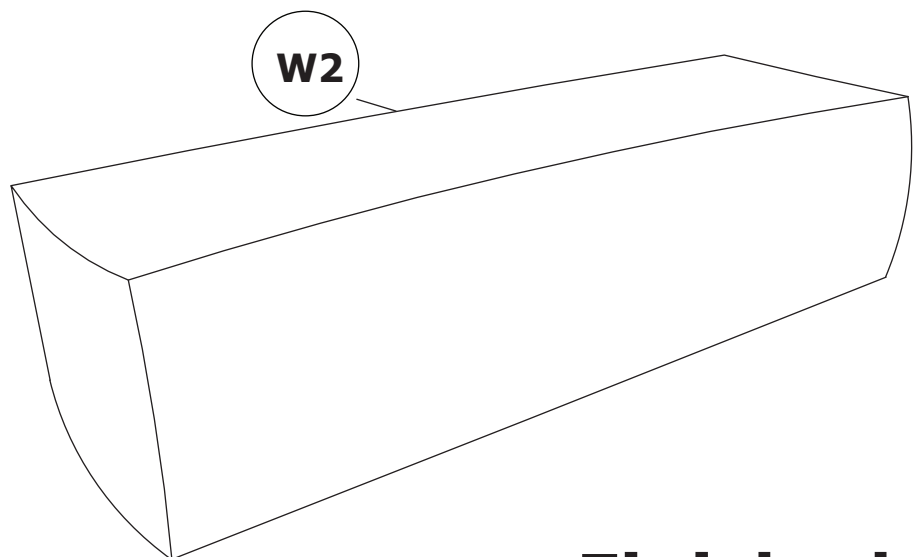
STEP 22



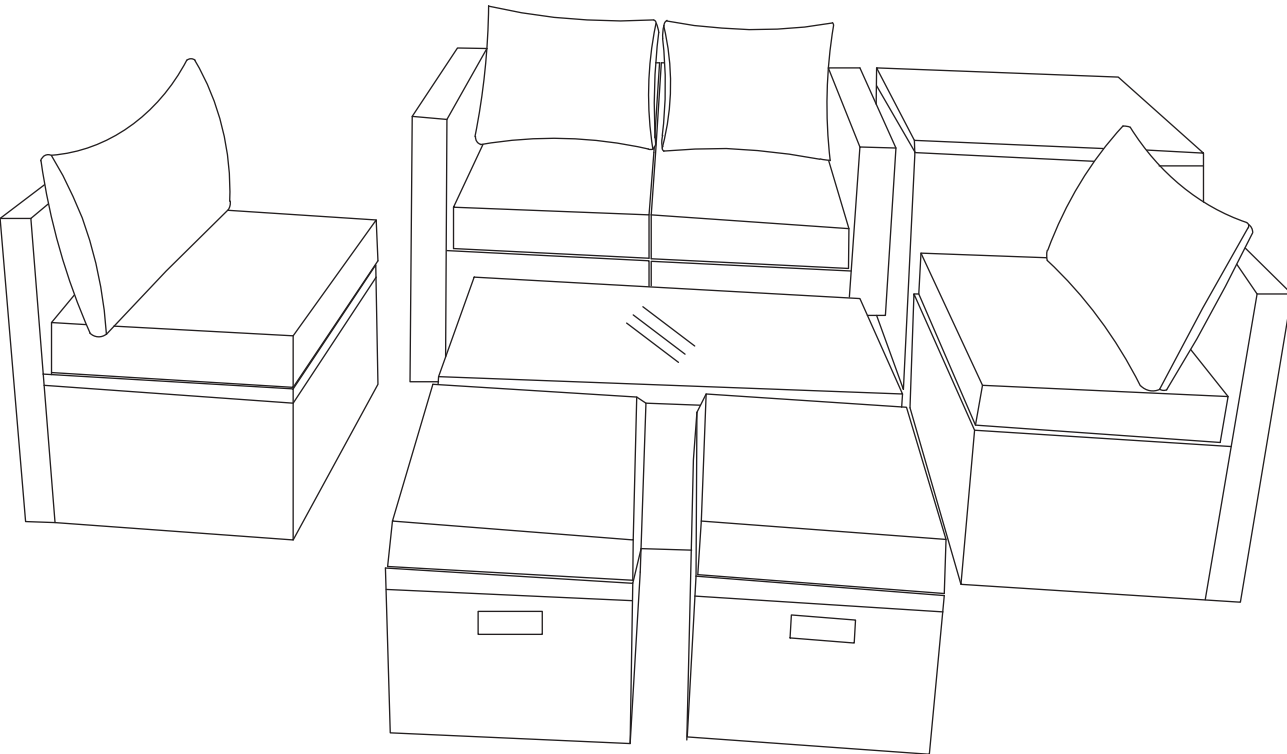
STEP 23



STEP 24



Finished



Care and Maintenance

Use a soft, clean cloth that will not scratch the surface when dusting.

Use of furniture polish is not necessary. Should you choose to use polish, test first in an inconspicuous area. Using solvents of any kind on your furniture may damage the finish. Never use water to clean your furniture as it may cause damage to the finish.

Liquid spills should be removed immediately. Using a soft clean cloth, blot the spill gently. Avoid rubbing. Check bolts/screws periodically and tighten them if necessary.

Further advice about wood furniture care

Please protect your outdoor furniture with a cover when not in use since Long-term sunlight exposure will result in the damage on the surface. In addition to sunlight damage, wood and metal frame suffers when exposed to extremes in temperature and humidity. Proper care and cleaning at home will extend the life of your purchase Following these important and helpful tips will enhance your furniture as it ages.



Please give us a chance to make it right and do better !

Contact our friendly customer service department for help first.
Replacements for missing or damaged parts will be shipped ASAP !

US office: Fontana UK office: Ipswich AU office: Truganina



Contact Us !

Do NOT return this item.

Contact our friendly customer service department for help first.



US:cs.us@costway.com
UK:cs.uk@costway.com
AU:cs.au@costway.com