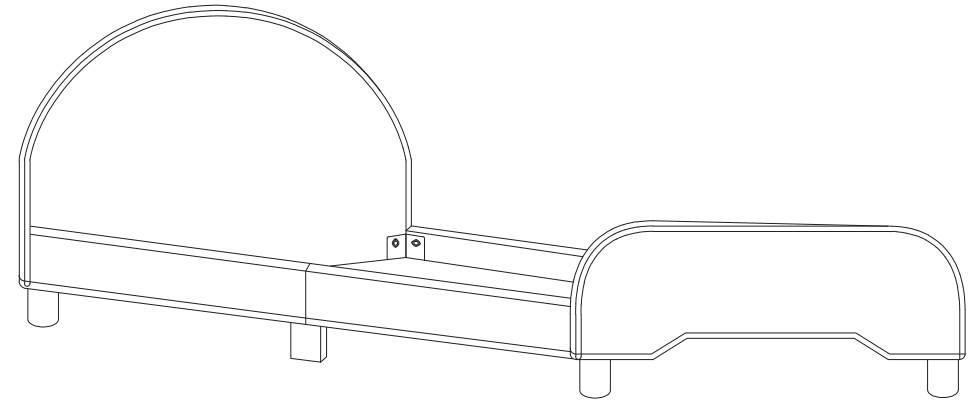




Please give us a chance to make it right and do better !

Contact our friendly customer service department for help first.
Replacements for missing or damaged parts will be shipped ASAP !

US office: Fontana UK office: Ipswich AU office: Truganina



Contact Us !

Do NOT return this item.

Contact our friendly customer service department for help first.



US:cs.us@costway.com
UK:cs.uk@costway.com
AU:cs.au@costway.com

USER'S MANUAL

Children Bed HY10020

THIS INSTRUCTION BOOKLET CONTAINS **IMPORTANT** SAFETY INFORMATION. PLEASE READ AND KEEP FOR FUTURE REFERENCE.



Before You Start

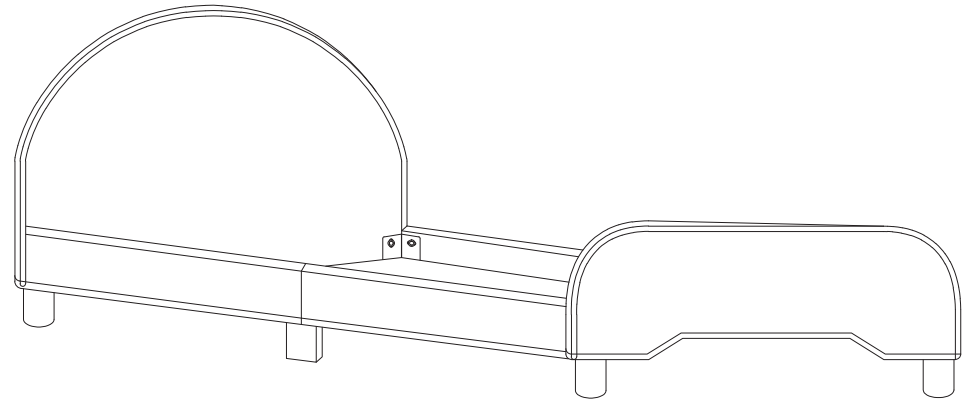
Please read all instructions carefully and keep it for future reference.

General Security Warning

Caution: The Product is not suitable for the children under 3 years

Danger: Keep all small parts and packaging materials for this product away from babies and children, otherwise they may pose a choking hazard.

Danger: Lack of attachment may cause a risk of tipping.






WARNING:
CHOKING HAZARD-Small parts.
Not for children under 3 years.

Warning for Assembly

- ⚠ Assembled only by adults
- ⚠ Remove all Packaging, separate and count all parts and hardware.
- ⚠ Read through each step carefully and follow the proper order.
- ⚠ We recommend that, where possible, all items are assembled near the area in which they will be placed in use, to avoid moving the product unnecessarily once assembled.
- ⚠ Ensure a secure surface during installation, and place the product always on a flat, steady and stable surface.

Read all instructions before assembly and use.

KEEP INSTRUCTIONS FOR FUTURE USE .

Due to the presence of small parts during assembly, keep out of reach of children until assembly is completed.

CAUTION

DO NOT use this bed without a mattress.

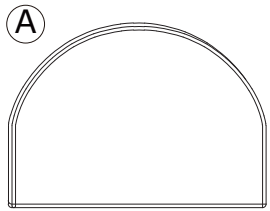
Infants who cannot get in and out of a bed without help can be trapped between a mattress and a wall and suffocate. NEVER place infants in the bed without guardrails in place.

NEVER use bed for children under 3 years.

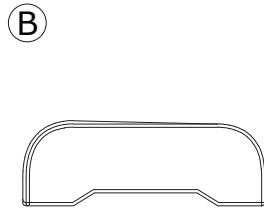
Never place bed near windows where cords from blinds or drapes may strangle a child.

Do not place items with a string, cord, or ribbon around a child's neck, such as hood strings or pacifier cords. Do not suspend strings over a child's bed for any reason.

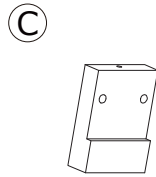
PARTS



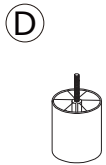
Headboard x 1



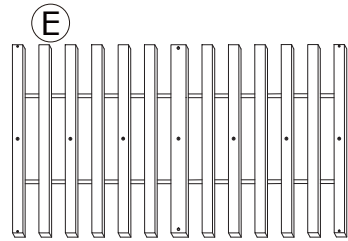
Footboard x 1



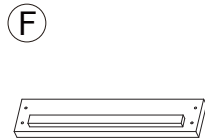
x 2



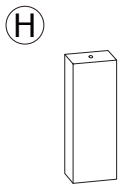
x 4



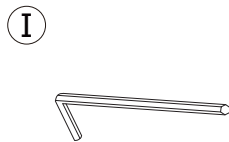
Mattress support x 1



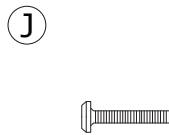
Side board x 4



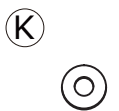
x 7



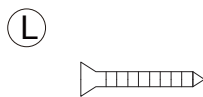
Hex wrench x 1



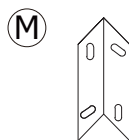
5/16*18mm Screw x 20



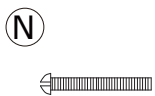
x 24



Ø4*38mm Screw x 4



x 4



1/4*38mm Screw x 9



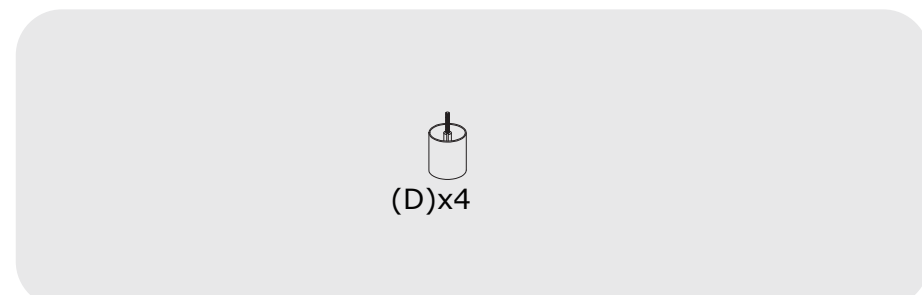
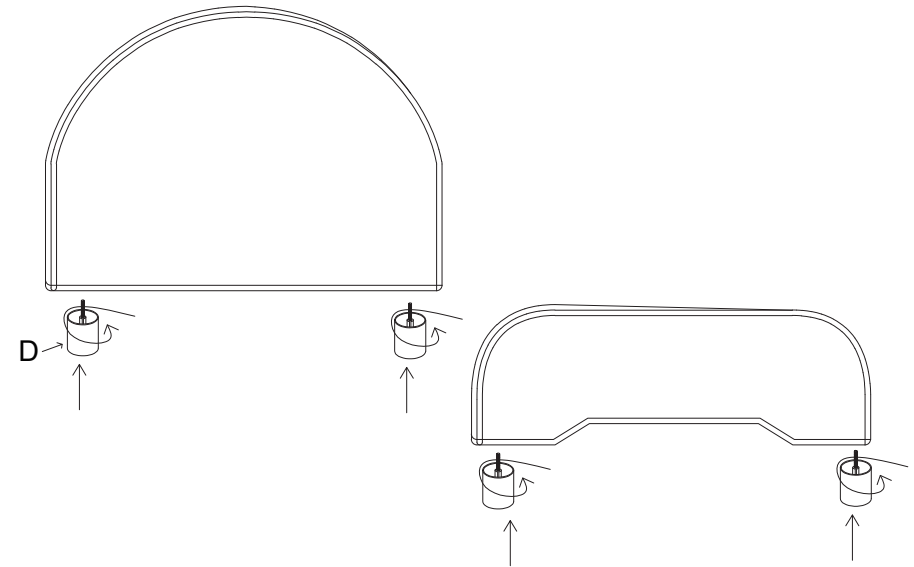
5/16*40mm Screw x 4



x 2

ASSEMBLY INSTRUCTION

Step 1: Attach the legs (D) to headboard (A) and footboard (B), fasten completely.

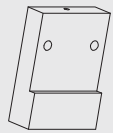
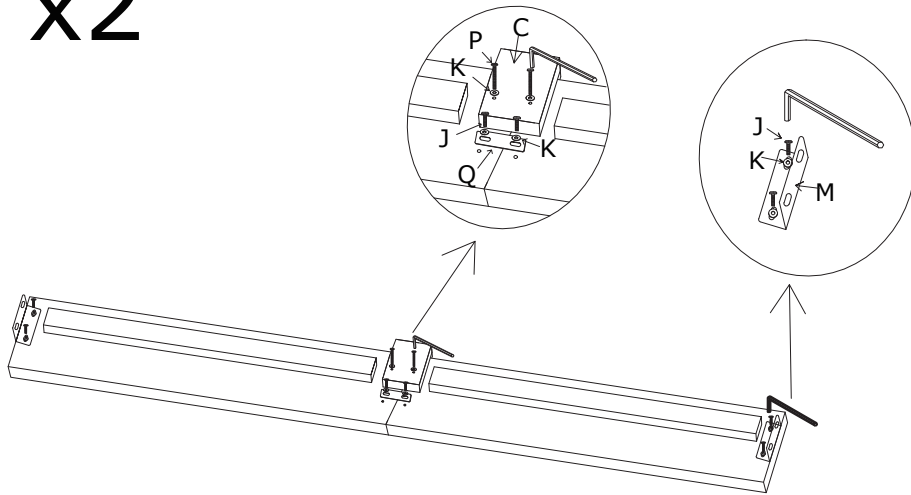


ASSEMBLY INSTRUCTION

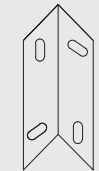
Step 2: Align side boards (F) with wooden center leg(C), fasten with washers (K) and screws (P).

Align brackets (M) to the end of side boards (F) , fasten with washers (K) and screws (J).

x2



(C)x1



(M)x2



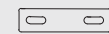
(P)x2



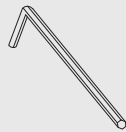
(K)x 8



(J)x6



(Q)x 1



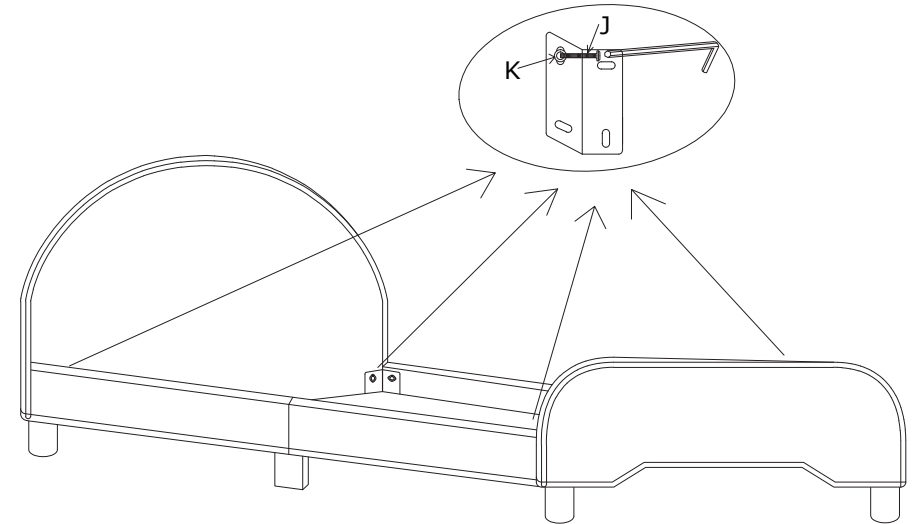
ASSEMBLY INSTRUCTION

Step 3: Align assembled side frame to headboard (A), and attach with washers (K) and screws (J).

Do not tighten screws completely.

Step 4: Align assembled side frames to footboard (B), and attach with washers (K) and screws(J).

Tighten all screws for steps 3 and 4.



(K)x8

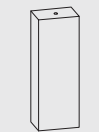
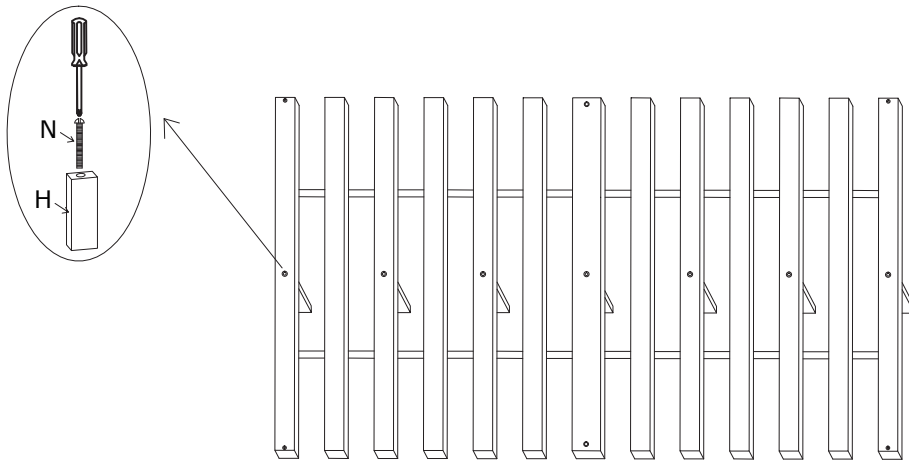


(J)x8



ASSEMBLY INSTRUCTION

Step 5: Fasten wooden support(H) to the mattress support(E) with screws (N) by household screwdriver.



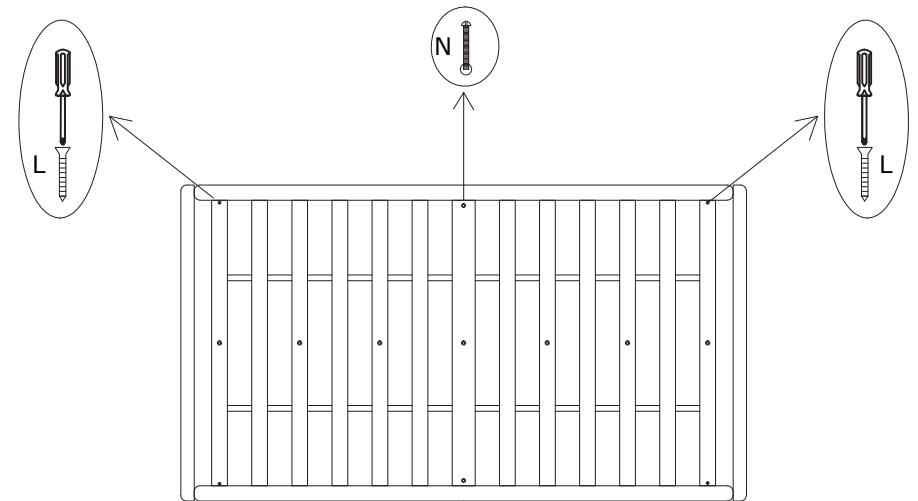
(H)x7



(N)x7

ASSEMBLY INSTRUCTION

Step 6: Place the assembled mattress support on the bed frame. Ensure the middle slat and end slats next to the headboard and footboard are tightened with screw (L).



(L)x4



(N)x2