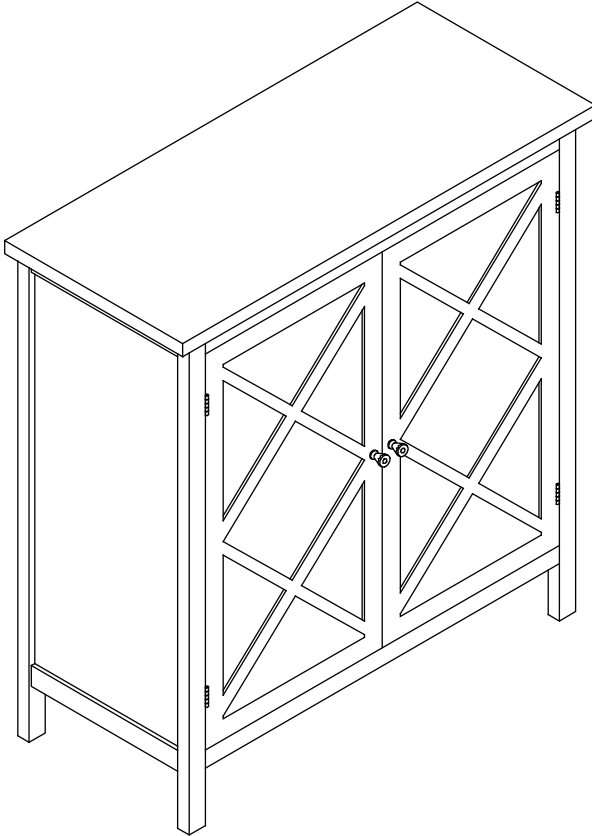




**COSTWAY**  
SHOP EASY. SAVE MONEY.

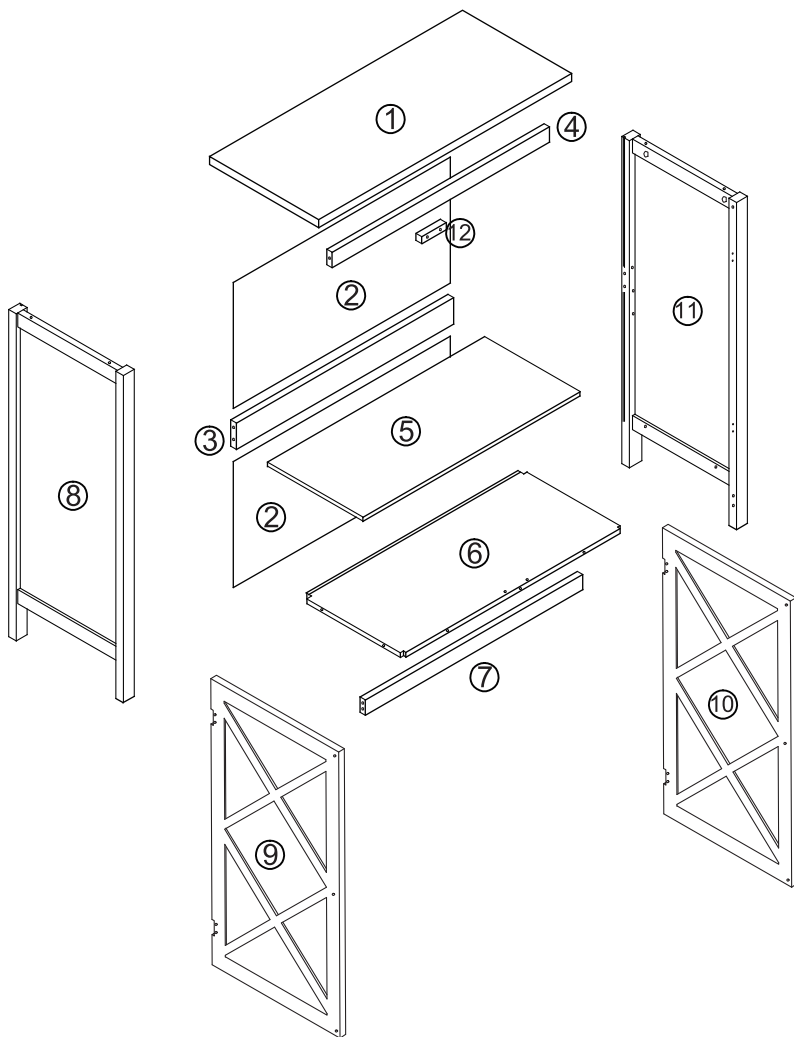


**USER'S MANUAL**

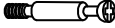



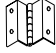





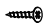
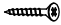



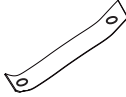

**kitchen Sideboard  
JV10060**

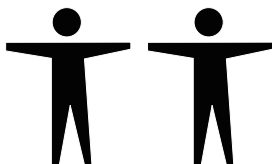
# Thank you for purchasing our product!

Please assemble the products with the guidance of these assembly instruction. Contact our friendly customer service department with any comments or in case there is any missing or damaged parts or hardware.

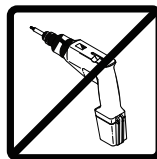


## HARDWARE LIST

A	Camlock Bolt		x19
B	Camlock		x19
C	Wood Dowel		x2
D	Magnetic Catch		x2
E	Hinge		x4
F	Metal Pin		x4
G	Knob		x2
H	Handle Bolt	 3 x 16mm	x2
I	Shelf Pin		x4
J	Screw	 4 x 45mm	x2
K	Screw	 3 x 14mm	x6
L	Screw	 4 x 25mm	x2
M	Screw	 3 x 12mm	x20
N	Screw		x2
O			x4
P			x2
Q	Screw	 4 x 35mm	x2

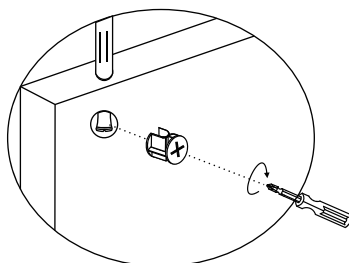
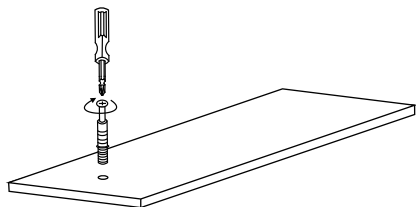


TWO PERSON  
ASSEMBLY REQUIRED.



DO NOT USE POWER TOOLS

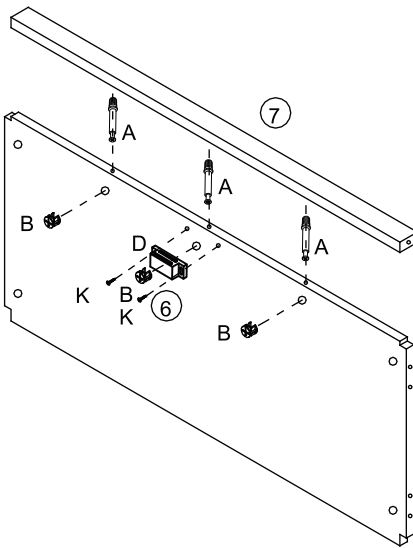
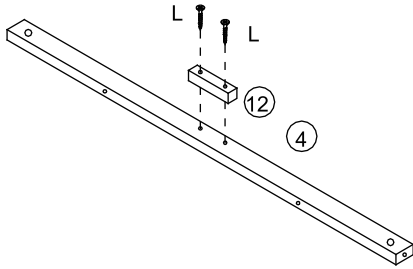
## Assembly of camlock (A&B)




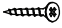



Screw camlock bolt to wood part

Do not tighten camlock unless is instructed

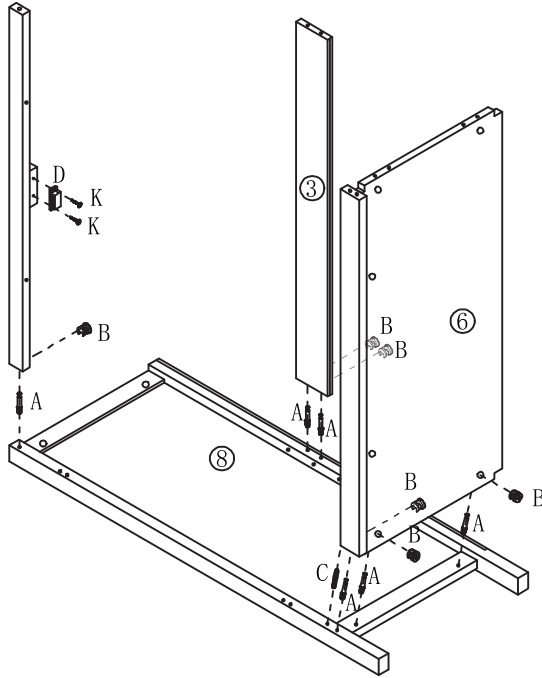
To assemble camlock,ensure long side of the+ is facing the bolt  
before inserting into hole

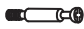



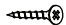


A		X3
B		X3
D		X1
K		X2
L		X2

## STEP 1

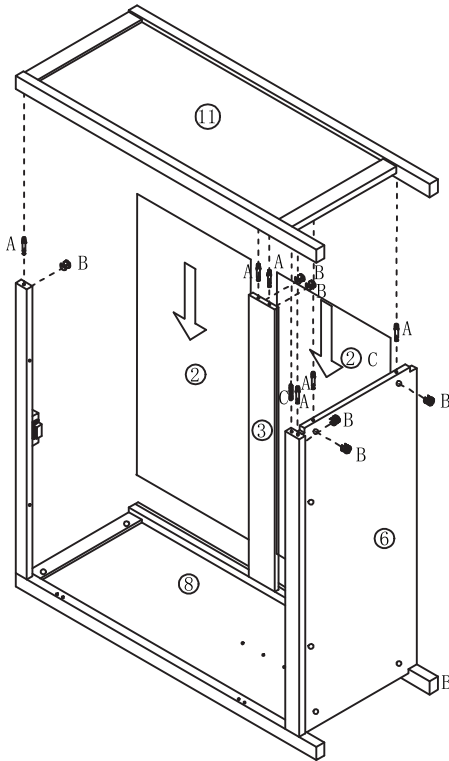
Assemble Block ⑫ to Up Rail ④ using Screw(L). Assemble Magnetic Catch(D) to Panel ⑥ using Screw(K). Then insert Cam Lock Bolt (A) into Bottom Rail ⑦, assemble Bottom Rail ⑦ to Bottom Panel ⑥ using Cam lock(B) as shown.

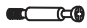




A		X6
B		X3
C		X1
D		X1
K		X2

## STEP 2

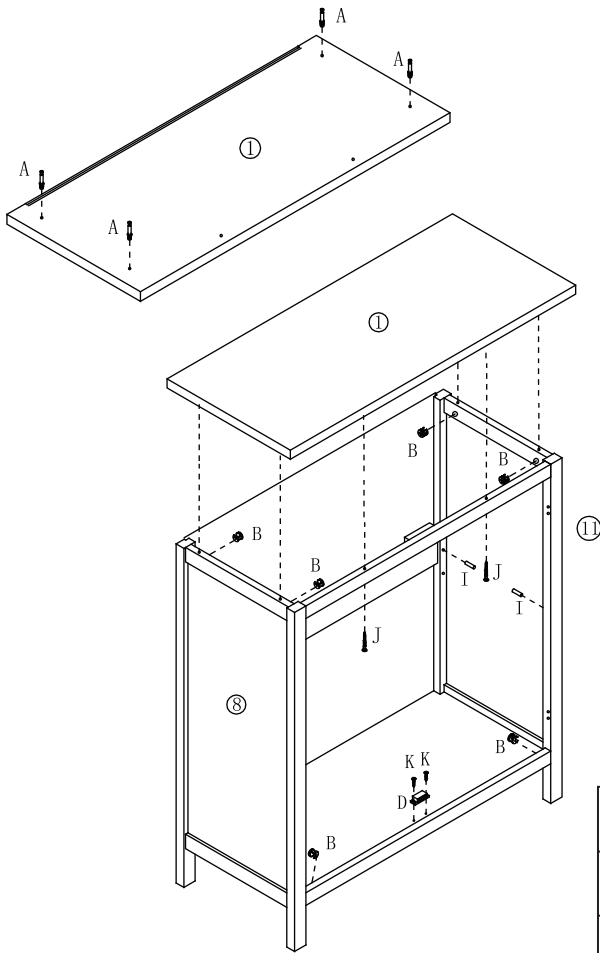
Attach Right Side Frame ⑧ to Bottom Panel ⑥ and Bottom Bar ⑦ by using Camlock Bolt(A)&Camlock(B)&Wood Dowel(C) as shown.  
 Assemble Up Rail ④ & Back Rail ③ to the Right Side Frame ⑧.

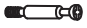





A		X6
B		X6
C		X3

### STEP 3

Assemble Back Panel ② to assembled unit as shown.  
 Assemble Left Side Frame to assembled unit by using  
 Camlock Bolt(A)&Camlock(B)& Wood Dowel(C).



A		X4
B		X6
I		X2
J		X2

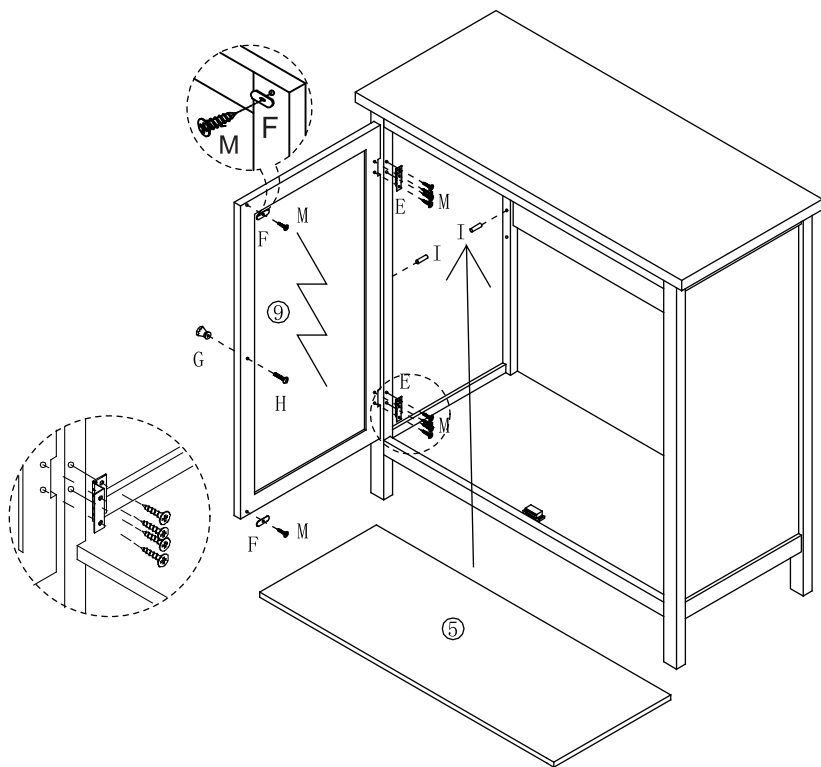
## STEP 4

Insert Camlock Bolt(A) into Top Panel ①.

Assemble Top Panel to assembled unit using

Camlock(B)&Screw(J)&Screw(L).



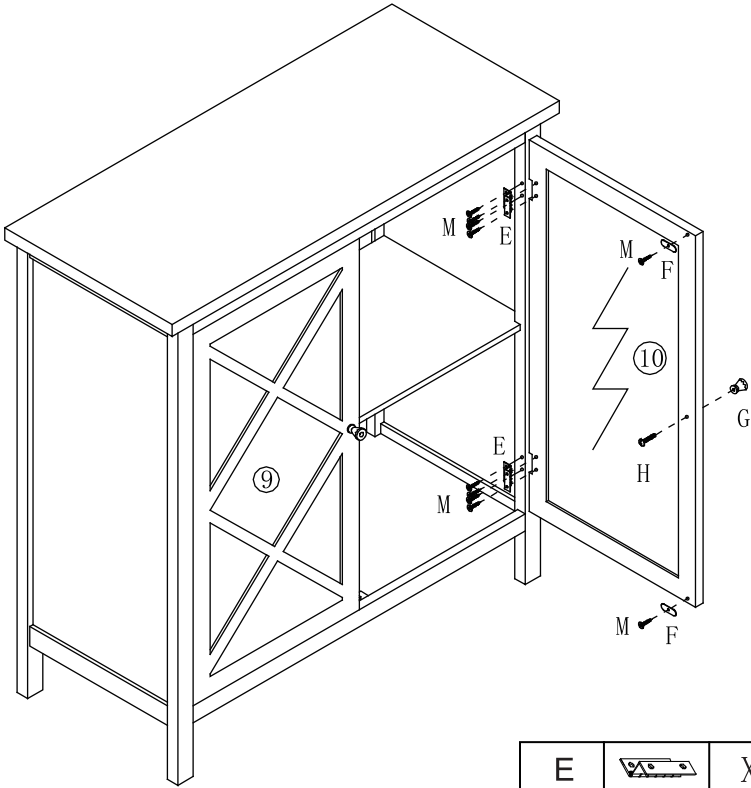







I		X2	M		X10
E		X2	G		X1
F		X2	H		X1

## STEP 5

Install Metal Pin(F) to Side Panel, then put Shelf ⑤ into assembled unit as shown. Assemble Left Door ⑨ to assembled unit by using Hinge(E)&Screw(M).

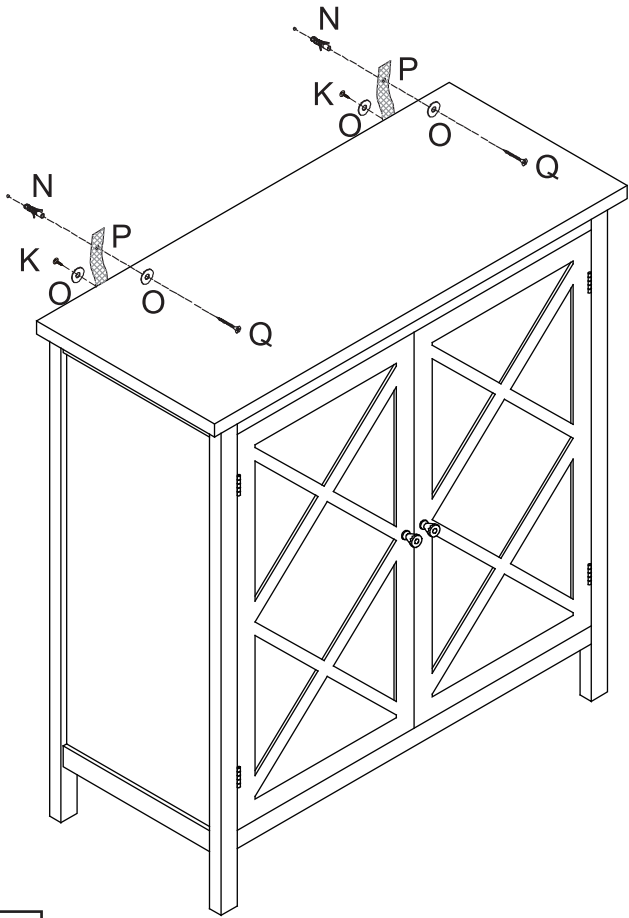
Assemble Knob(G)&Metal Pin(F) to the Left Door ⑨ by using Screw(M)&Handle Bolt(H)as shown.



E		X2
F		X2
M		X10
G		X1
H		X1

## STEP 6

Assemble Right Door to assembled unit using Hinge(E)and Screw(M), attach Knob(G)&Metal Pin(F) to the Right Door ⑩ by using Screw(M)&Handle Bolt(H)as shown.



STEP 7



**With your inspiring rating, COSTWAY will be more consistent to offer you EASY SHOPPING EXPERIENCE, GOOD PRODUCTS and EFFICIENT SERVICE!**

**Mit Ihrer inspirierenden Bewertung wird COSTWAY konsistenter sein, um Ihnen EIN SCHÖNES EINKAUFSERLEBNIS, GUTE PRODUKTE und EFFIZIENTEN SERVICE zu bieten!**

**Avec votre évaluation inspirante, COSTWAY continuera à fournir une EXPÉRIENCE D'ACHAT PRATIQUE, des PRODUITS DE QUALITÉ et un SERVICE EFFICACE !**

**Con su calificación inspiradora, COSTWAY será más consistente para ofrecerle EXPERIENCIA DE COMPRA FÁCIL, BUENOS PRODUCTOS y SERVICIO EFICIENTE.**

**Con la tua valutazione incoraggiante, COSTWAY sarà più coerente per offrirti ESPERIENZA DI ACQUISTO FACILE, BUONI PRODOTTI e SERVIZIO EFFICIENTE!**

**Dzięki twojej opinii COSTWAY będzie mógł oferować jeszcze WYGODNIEJSZE ZAKUPY, LEPSZE PRODUKTY i SPRAWNIEJSZĄ OBSŁUGĘ KLIENTA.**

**US office: Fontana**

**UK office: Ipswich**

**DE office: FDS GmbH, Neuer Höltigbaum 36, 22143 Hamburg, Deutschland**

**FR office : 26 RUE DU VERTUQUET, 59960 NEUVILLE EN FERRAIN, FRANCE**

