

## USER'S MANUAL


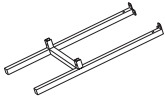

### Wicker Bar Stool NP10462



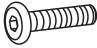
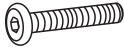

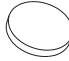

# Before You Start

- ⚠ Please read all instructions carefully.
- ⚠ Retain instructions for future reference.
- ⚠ Separate and count all parts and hardware.
- ⚠ Read through each step carefully and follow the proper order.
- ⚠ We recommend that, where possible, all items are assembled near to the area in which they will be placed in use, to avoid moving the product unnecessarily once assembled.
- ⚠ Always place the product on a flat, steady and stable surface.
- ⚠ Keep all small parts and packaging materials for this product away from babies and children as they potentially pose a serious choking hazard.

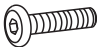
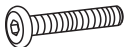


# PART LIST

<p><b>A</b></p> 	<p><b>B</b></p> 	<p><b>C</b></p> 
<p>Seat 1 PC</p>	<p>Frame 2 PCS</p>	<p>Stretcher 2 PCS</p>

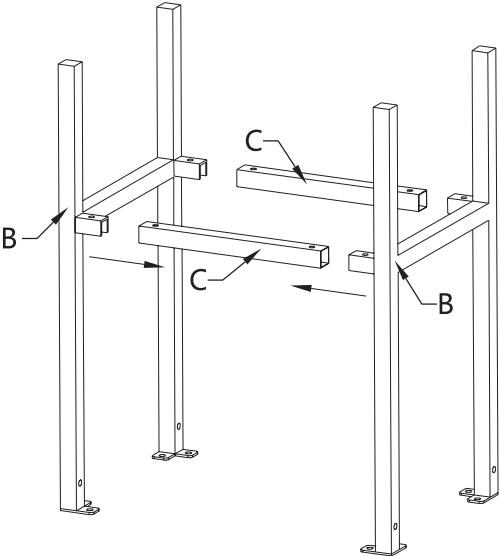
# HARDWARE LIST

<p><b>D</b></p>  <p>M6*20mm</p>	<p><b>E</b></p>  <p>M6*40mm</p>	<p><b>F</b></p>  <p>M6mm</p>	<p><b>G</b></p>  <p>M6mm</p>	<p><b>H</b></p>  <p>M6mm</p>
<p>Short Bolt 12 PCS</p>	<p>Medium Bolt 4 PCS</p>	<p>Washer 16 PCS</p>	<p>Screw cap 16 PCS</p>	<p>Allen Key 1 PC</p>

# EXTRA HARDWARE LIST





<p><b>D</b></p>  <p>M6*20mm</p>	<p><b>E</b></p>  <p>M6*40mm</p>	<p><b>F</b></p>  <p>M6mm</p>	<p><b>G</b></p>  <p>M6mm</p>
<p>Short Bolt 3 PCS</p>	<p>Medium Bolt 1 PC</p>	<p>Washer 3 PCS</p>	<p>Screw cap 3 PCS</p>

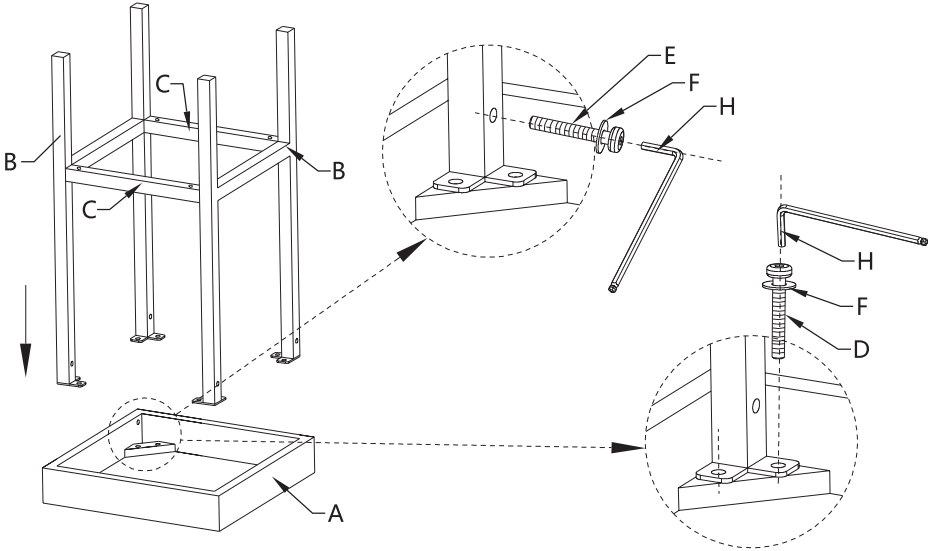
**STEP 1**



Attach frame (B) into stretcher (C). Please do not screw at this step.

## STEP 2

D		x8
E		x4
F		x12
H		x1

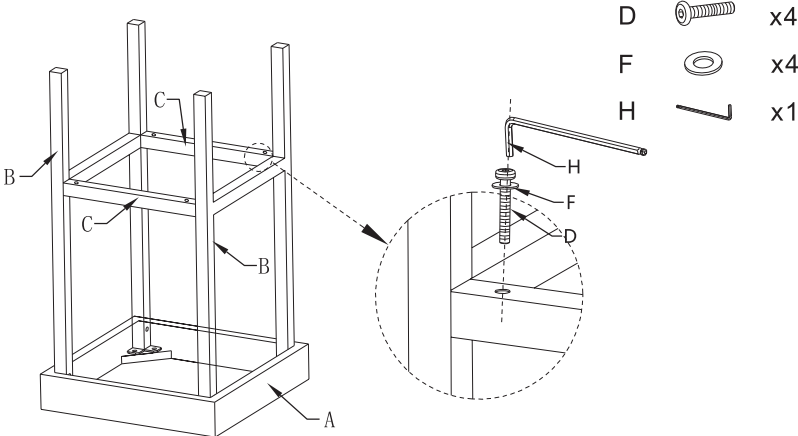


Lay seat (A) down on a flat surface. Attach assembled parts B, C to the seat (A) using bolts (D), washers (F), allen key (H) in vertical direction.

Cross direction by using bolts (E), washers (F), allen key (H).

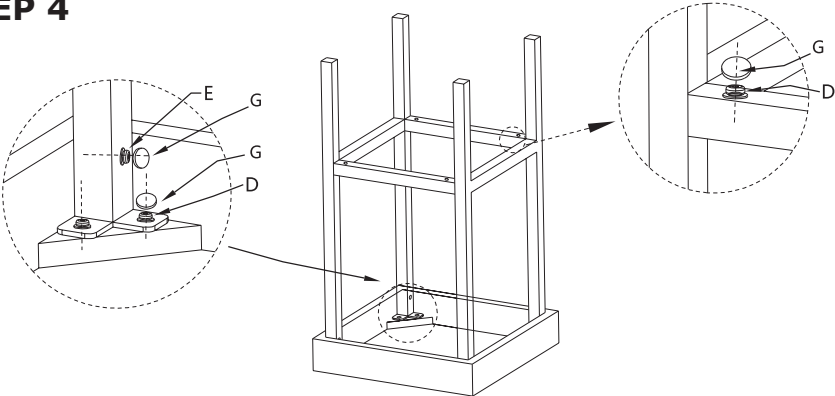
NOTE: Do not fully tighten bolt until all bolts are in place.

**STEP 3**



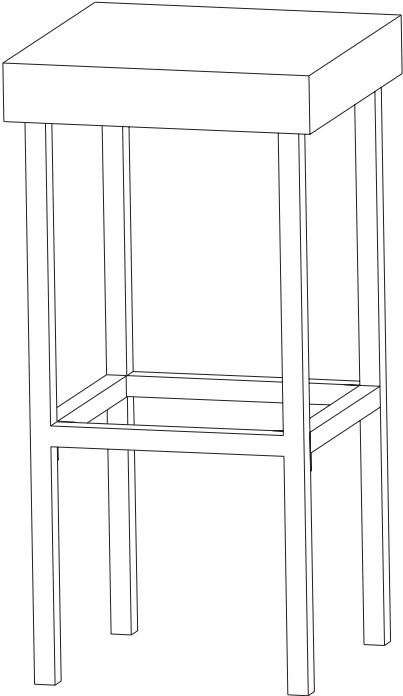
Tighten the assembled parts B,C using bolts (D) and washers (F).

**STEP 4**



Tighten all bolts, and put Caps (G) on the head of bolts.

**STEP 5**



Turn the assembled bar stool upright on a flat surface.



**Please give us a chance to make it right and do better !**

Contact our friendly customer service department for help first.  
Replacements for missing or damaged parts will be shipped ASAP !

**US** office: Fontana    **UK** office: Ipswich    **AU** office: Truganina  
**DE** office: Hamburg    **FR** office: Saint Vigor d'Ymonville    **PL** office: Gdańsk



## Contact Us!

**Do NOT return this item.**

Contact our friendly customer service department for help first.



US: [cs.us@costway.com](mailto:cs.us@costway.com)

UK: [cs.uk@costway.com](mailto:cs.uk@costway.com)

AU: [cs.au@costway.com](mailto:cs.au@costway.com)