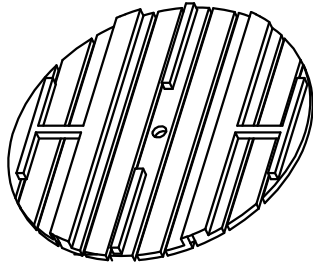
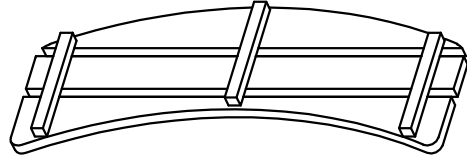


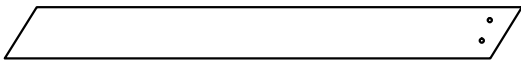
ITEM:OP3300-12/22



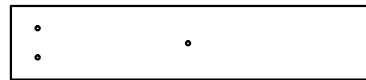
A 1pc



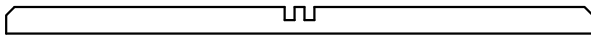
B 4pcs



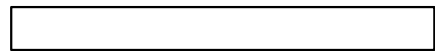
C 4pcs



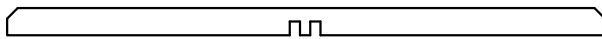
D 8pcs



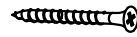
E 2pcs



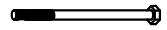
F 4pcs



G 2pcs



H 4 * 50mm 4pcs



I 6*50mm 8pcs



J 6*70mm 24pcs



K 8*120mm 12pcs

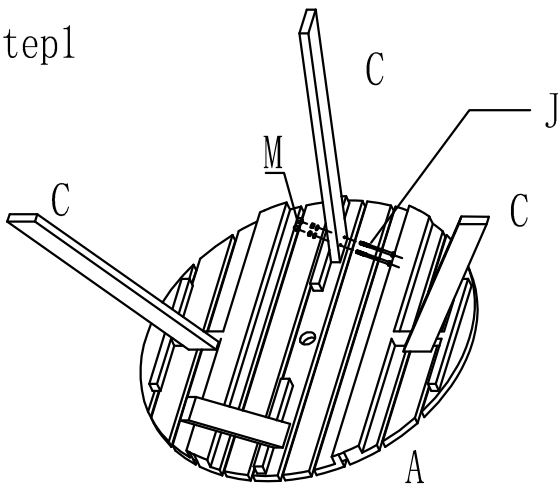


L 24pcs

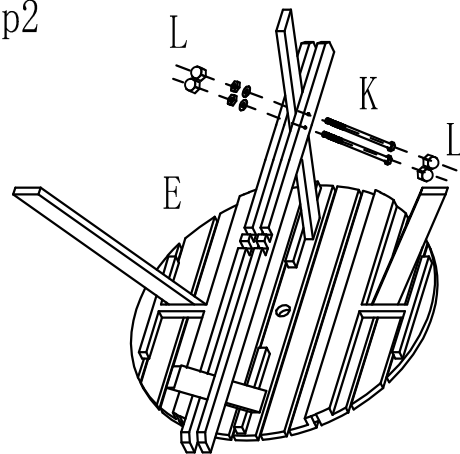


M 24pcs

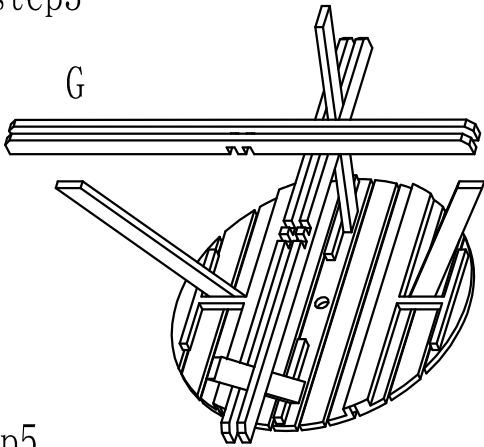
step1



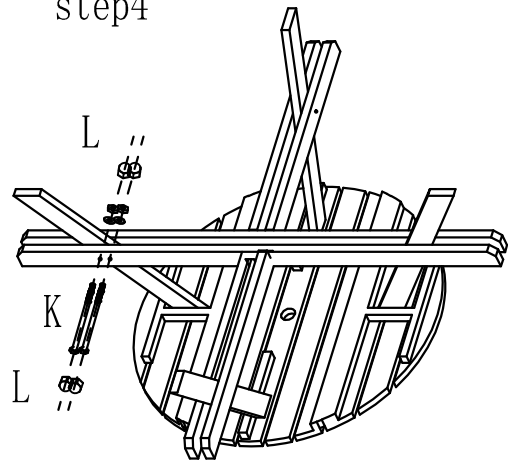
step2



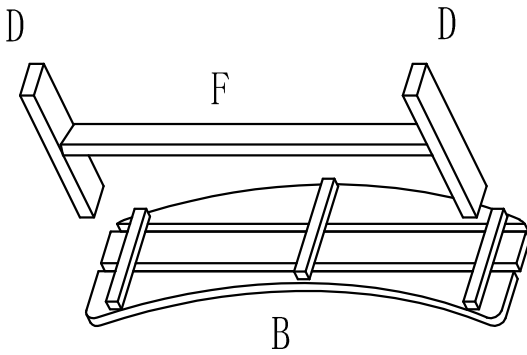
step3



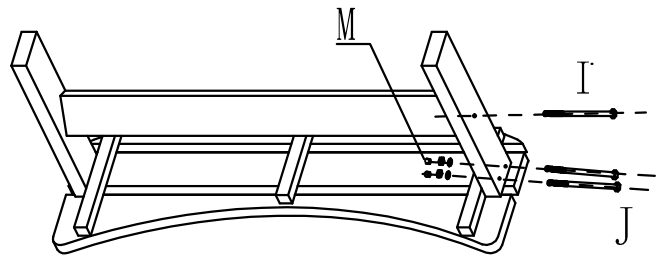
step4



step5

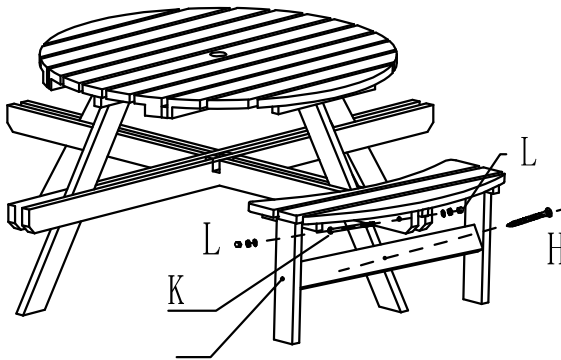


step6



I Bolt Shouldn't be Too Tight

step7



All Screws Should Be Tightened On Completion

I Bolt Now should Be Tightened

