



## **USER'S MANUAL**

### **Multi-Function Dip Stand SP37552**

THIS INSTRUCTION BOOKLET CONTAINS **IMPORTANT** SAFETY INFORMATION. PLEASE READ AND KEEP FOR FUTURE REFERENCE.

**Please give us a chance to make it right and do better!**

Contact our friendly customer service department for help first.

Replacements for missing or damaged parts will be shipped ASAP!

**Follow Costway**



# Contact Us!

## Do NOT return this item.

Contact our friendly customer service department for help first.



# Before You Start

Please read all instructions carefully and keep it for future reference.

### Warnings:

**Attention:** For home use only.

**Attention:** The Product is not suitable for the children under 3 years

**Danger:** Keep all small parts and packaging materials for this product away from babies and children, otherwise they may pose a choking hazard.

**Danger:** Lack of attachment may cause a risk of tipping or fall hazards.

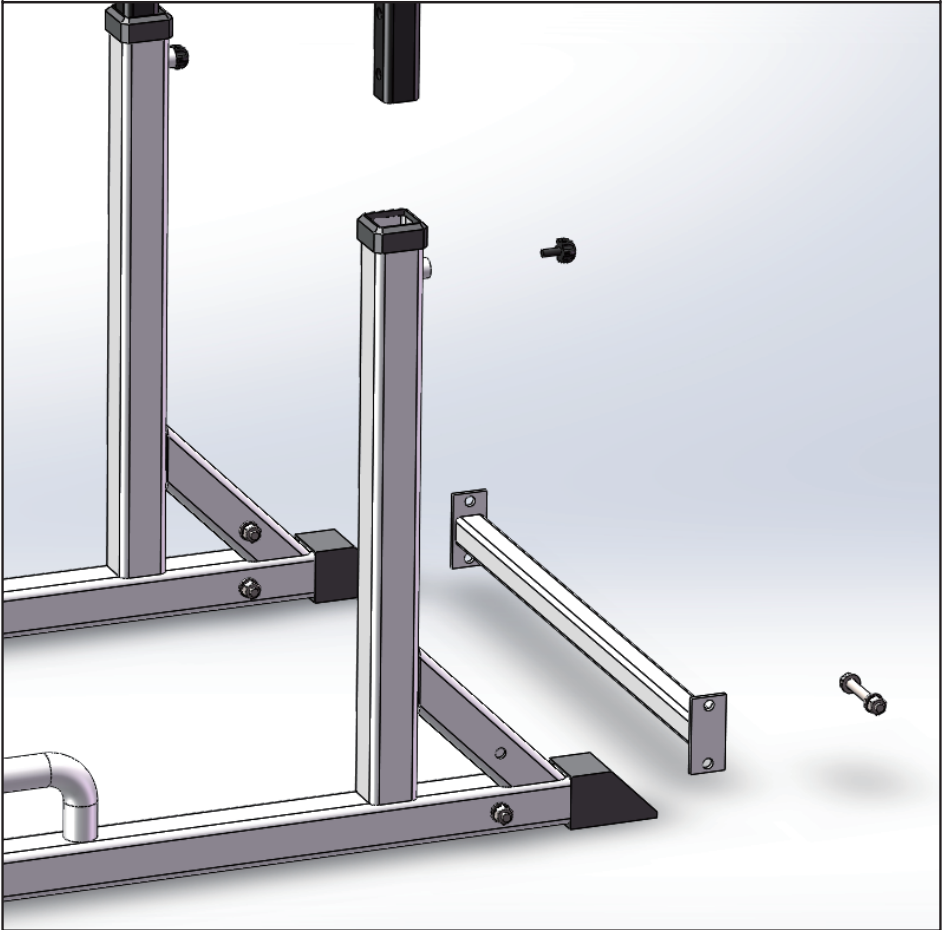
### General Warnings:

- △ The product must be installed and used under the supervision of an adult.
- △ Read through each step carefully and follow the proper order.
- △ Remove all packaging, separate and count all parts and hardware.
- △ Please ensure that all parts are correctly installed, incorrect installation can lead to a danger.
- △ We recommend that, where possible, all items are assembled near to the area in which they will be placed in use, to avoid moving the product unnecessarily once assembled.
- △ Ensure a secure surface during construction, and place the product always on a flat, steady and stable surface.
- △ Please check and maintain regularly, the most important parts for suspension, fixing, anchoring to the ground.

**General Schematic Diagram:****Part Name**

|                |                       |
|----------------|-----------------------|
| A: 40*40*1.5mm | Square adjusting tube |
| B: 50*50*1.5mm | Square main tube      |
| C: 50*50*1.5mm | Square support tube   |
| D: 50*50*1.5mm | Square bottom tube    |

### Installation Diagram:



### As shown in the figure:

- Part C and Part D are fastened by bolts;
  - The height of parts A and D is adjusted through the hole position of part B.
-

**Welcome to visit our website and purchase our quality products!**

With your inspiring rating, COSTWAY will be more consistent to offer you  
**EASY SHOPPING EXPERIENCE, GOOD PRODUCTS and EFFICIENT SERVICE!**

US office: Fontana, California

UK office: Ipswich



- \* Reward Points
- \* Exclusive Customer Service
- \* Personalized Recommendations
- \* Permanent Shopping Cart
- \* Order History

*5 Star Rating*



We would like to extend our heartfelt thanks to  
all of our customers for taking time to assemble  
this product and giving us valuable feedbacks.

*THANK  
YOU*  
☺

