



**TIPS:**

Your suggestions and comments for Costway are really important to us!  
We sincerely solicit you to go back to our shop and leave a good rating in just a simple click. It would be quite encouraging if you could kindly do so like below:

★★★★★ Great products so far

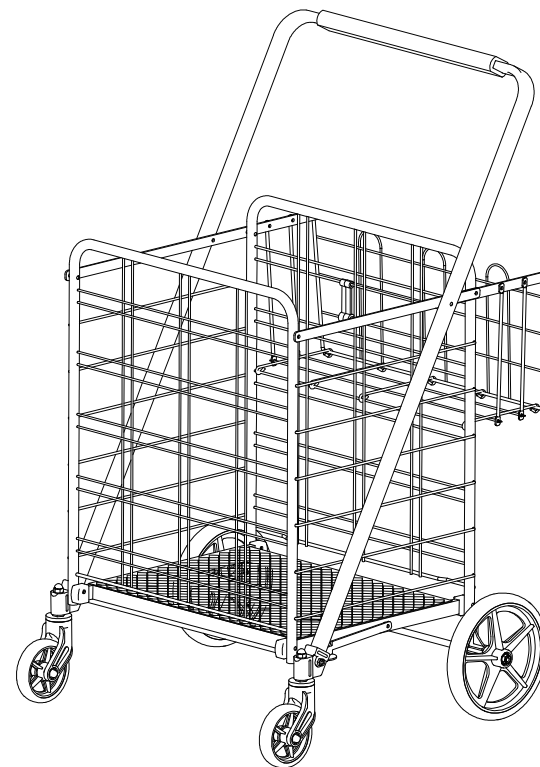
February 24, 2018

Great product so far. Fast delivery, easy setup, and working without any issues.

With your inspiring rating, Costway will be more consistent to offer you  
**EASY SHOPPING EXPERIENCE, GOOD PRODUCTS and EFFICIENT SERVICE!**

US office:Fontana

UK office:lpswich

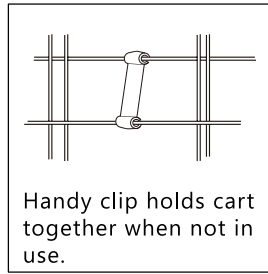


**USER'S MANUAL**  
**SHOPPING CART**  
**TL35300**





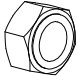

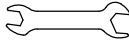
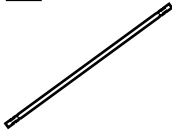
# Jumbo Double Basket FOLDING SHOPPING CART with Swivel Wheels

Dear customer:  
 Thank you for your purchase! It is our pleasure to serve you. Your feedback and experience is extremely valuable to us. If for any reason you are not satisfied, please don't hesitate to contact us immediately. Our customer service team will work hard to put a smile back on your face!

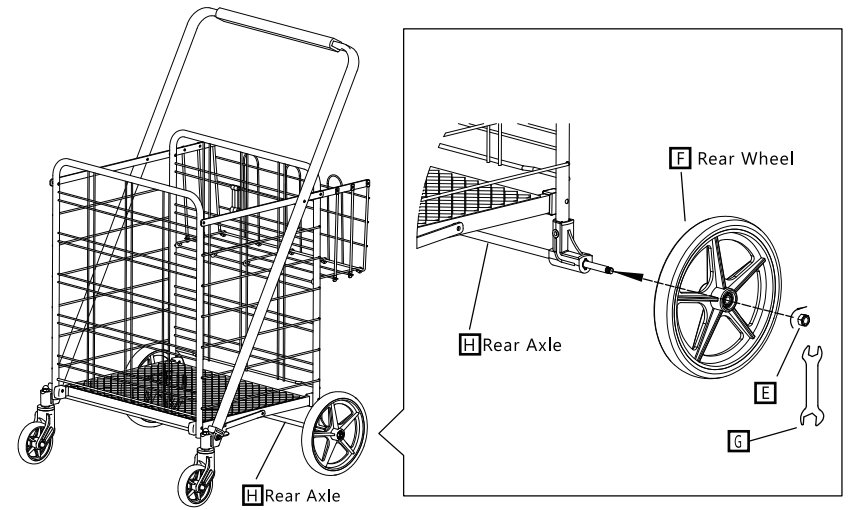
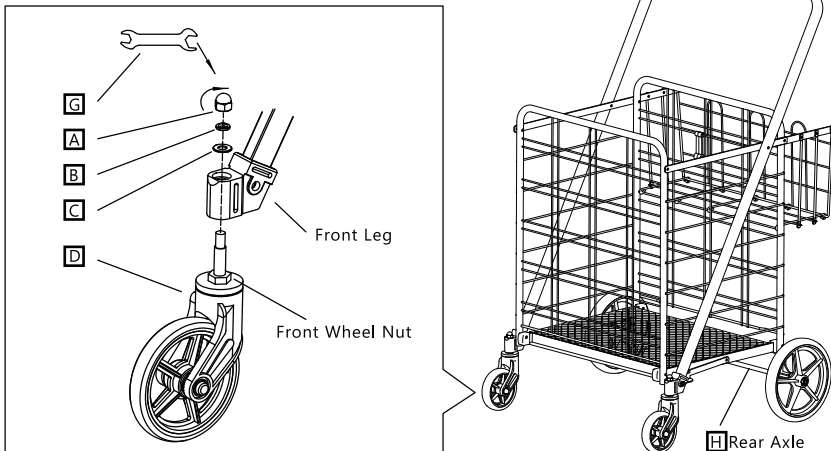
We look forward to serving you again soon.



## Parts List

<p><b>A</b> Head Nuts</p>  <p>2PCS</p>	<p><b>B</b> Pressure Washers</p>  <p>2PCS</p>	<p><b>C</b> Washers</p>  <p>2PCS</p>	<p><b>D</b> Front Wheels</p>  <p>2PCS</p>
<p><b>E</b> Lock Nuts</p>  <p>2PCS</p>	<p><b>F</b> Rear Wheels</p>  <p>2PCS</p>	<p><b>G</b> Wrench</p>  <p>1PCS</p>	<p><b>H</b> Rear Axle</p>  <p>1PCS</p>

Wheel Assembly Will Be Easier If Placed On A Tall Surface,like A Table.



## FRONT WHEELS:

1. Take Front Wheel **D** and insert it into the front leg from the bottom. Make sure to align the Front Wheel Nut with the Front Leg push together aligned.
  2. Place one Washer **C** ,Pressure Washer **B** and Head Nut **A** onto the Front Wheel rod from the top.(In order)
  3. Tighten Head Nut **A**, and make sure no loosening occurred.
- Repeat steps 1~3 again on another front wheel.

## REAR WHEELS:

1. Slide Rear Axle **H** through the holes in the rear cart legs
2. Place the Rear Wheel **F** on the Axle both sides.(flat side of wheel connector facing cart), and put the Lock Nut **E** on.
3. Tighten Lock Nut **E**, and make sure no loosening occurred, however not to overtighten the Lock Nut **E**.